

Technical drawing package for Firestop Coated Board CFS-CT B



- Applications for **MULTIPLE CABLES** (single cables, cable bundle, cable trays)

- | | |
|---|--------------------|
| • 100 mm flexible wall (max opening size 1200 x 2000) | CAB-FW-MT-0111/114 |
| • 100 mm flexible wall (max opening size 1200 x 1200) | CAB-FW-MT-0117 |
| • 100 mm rigid wall (max opening size 1200 x 2000) | CAB-RW-MT-0123/126 |
| • 100 mm rigid wall (max opening size 1200 x 1200) | CAB-RW-MT-0129 |
| • 150 mm rigid floor (max opening size 1200 x 2000) | CAB-RF-MT-0135/138 |
| • 150 mm rigid floor (max opening size 1200 x 1200) | CAB-RF-MT-0141 |

*) All the drawings are also available (on demand) in DWG for easy copy on your specs.



CONTENTS

Multiple in a flexible wall

ID

CAB-FW-MT-0111

FIRESTOP COATED BOARD

0111_01

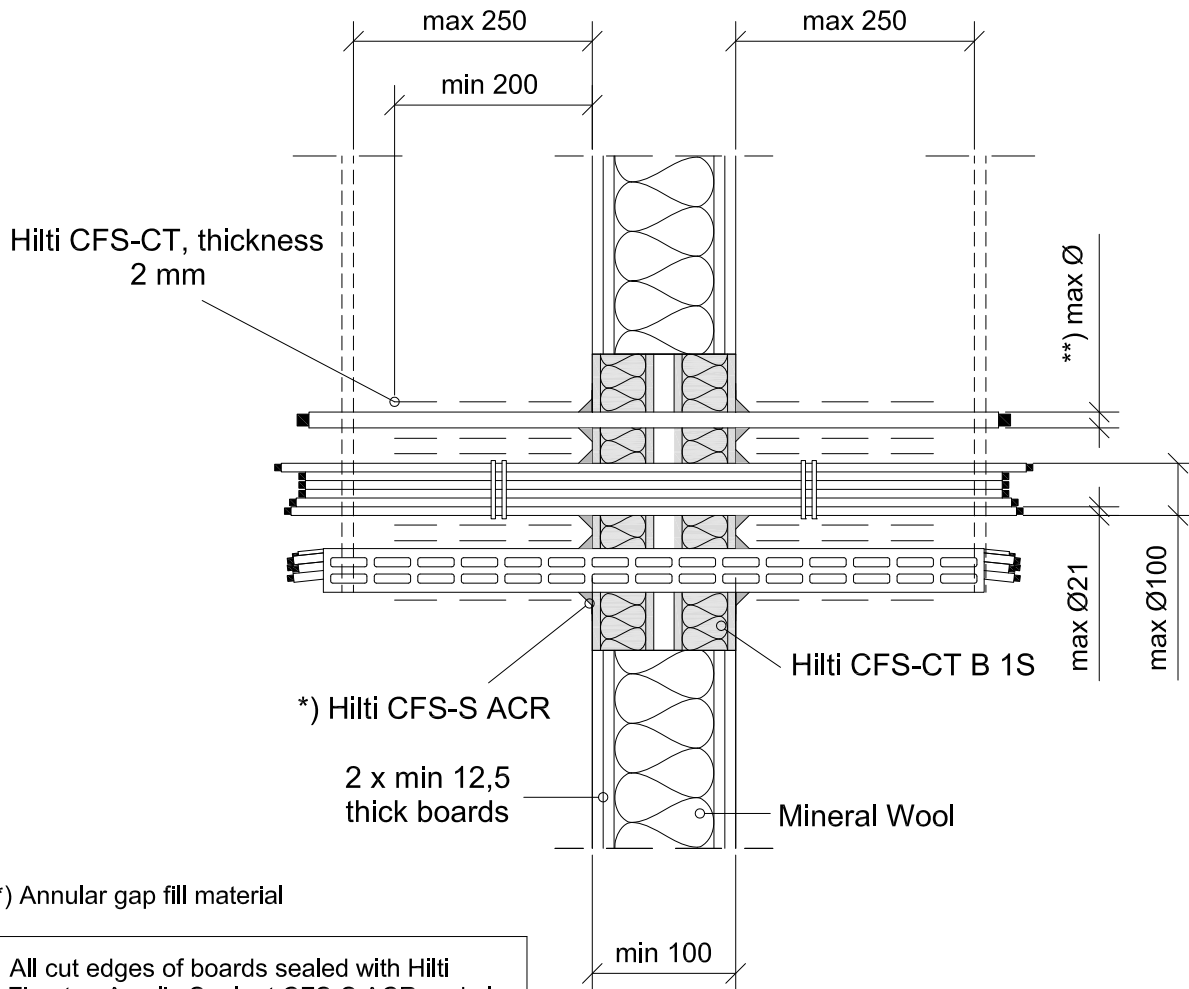
REV

00

No scale

All units are in millimetres

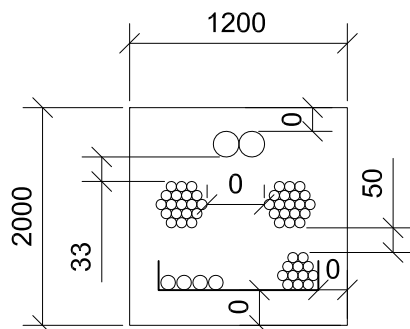
Fire Rating EI 60



*) Annular gap fill material

All cut edges of boards sealed with Hilti Firestop Acrylic Sealant CFS-S ACR and also the remaining gaps around cables/cable supports and other services.

Max. opening (1200x2000) and minimum distance



- Approval ETA-11/0429 of 24/11/2014
- Reaction to fire acc EN 13501-1
- Fire resistance test acc 1366-3
- Installation according to Hilti instructions

**) Ø cables

Ø max single sheated cable	80
Ø max single non- sheated cable	24
Ø max cable bundle	100
Ø max for a cable in a cable bundle	21



CONTENTS

Multiple in a flexible wall

ID

CAB-FW-MT-0114

FIRESTOP COATED BOARD

0114_01

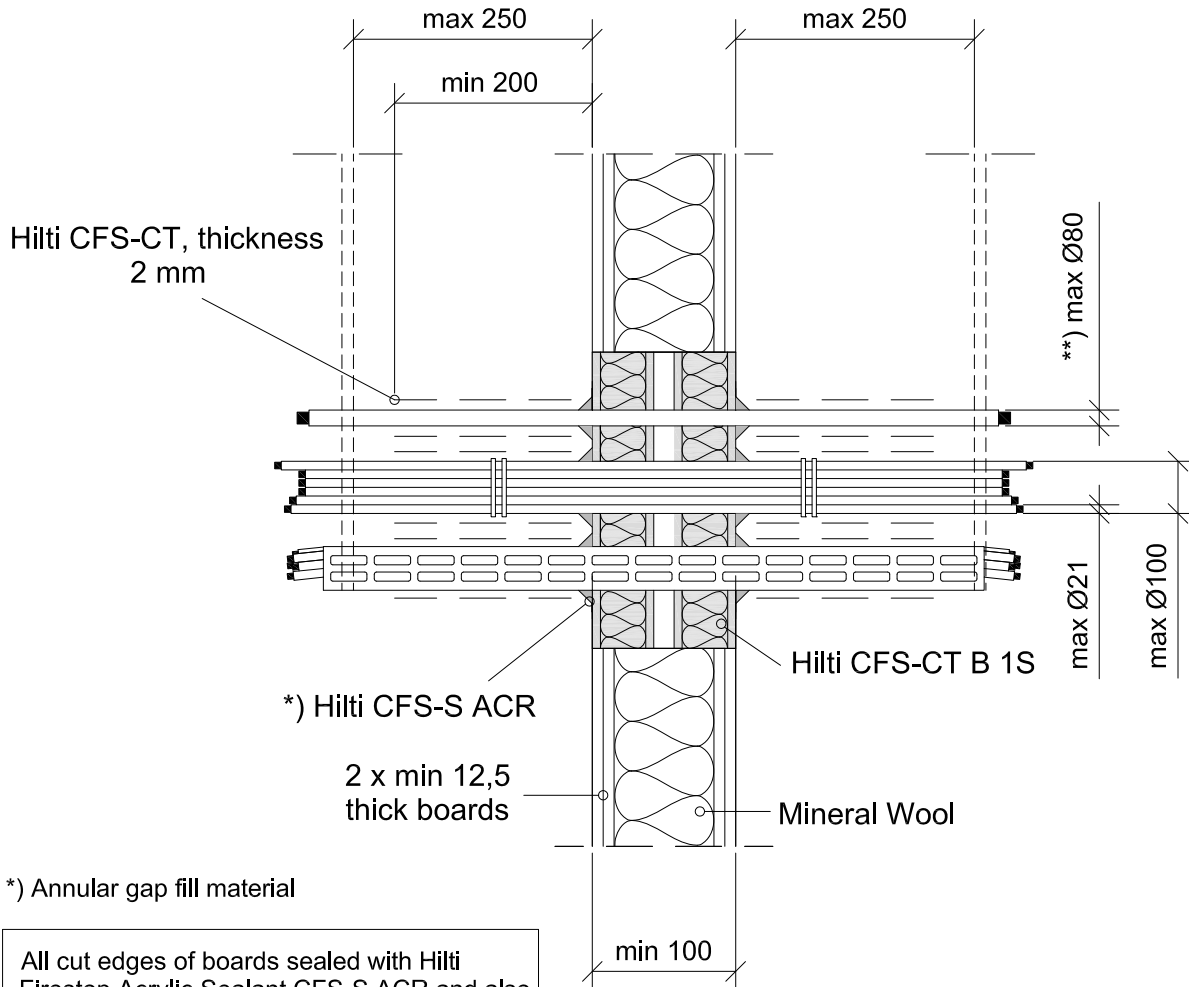
REV

00

No scale

All units are in millimetres

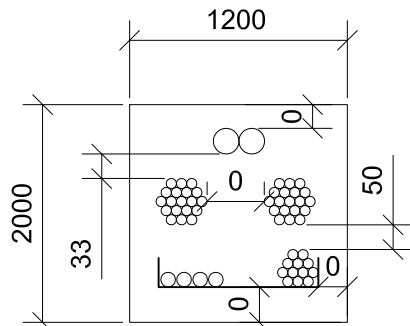
Fire Rating EI 90



*) Annular gap fill material

All cut edges of boards sealed with Hilti Firestop Acrylic Sealant CFS-S ACR and also the remaining gaps around cables/cable supports and other services.

Max. opening (1200x2000) and minimum distance



- Approval ETA-11/0429 of 24/11/2014
- Reaction to fire acc EN 13501-1
- Fire resistance test acc 1366-3
- Installation according to Hilti instructions

*) Ø cables

Ø max single sheated cable	80
Ø max single non- sheated cable	---
Ø max cable bundle	100
Ø max for a cable in a cable bundle	21



CONTENTS

Multiple in a flexible wall

ID

CAB-FW-MT-0117

FIRESTOP COATED BOARD

0117_01

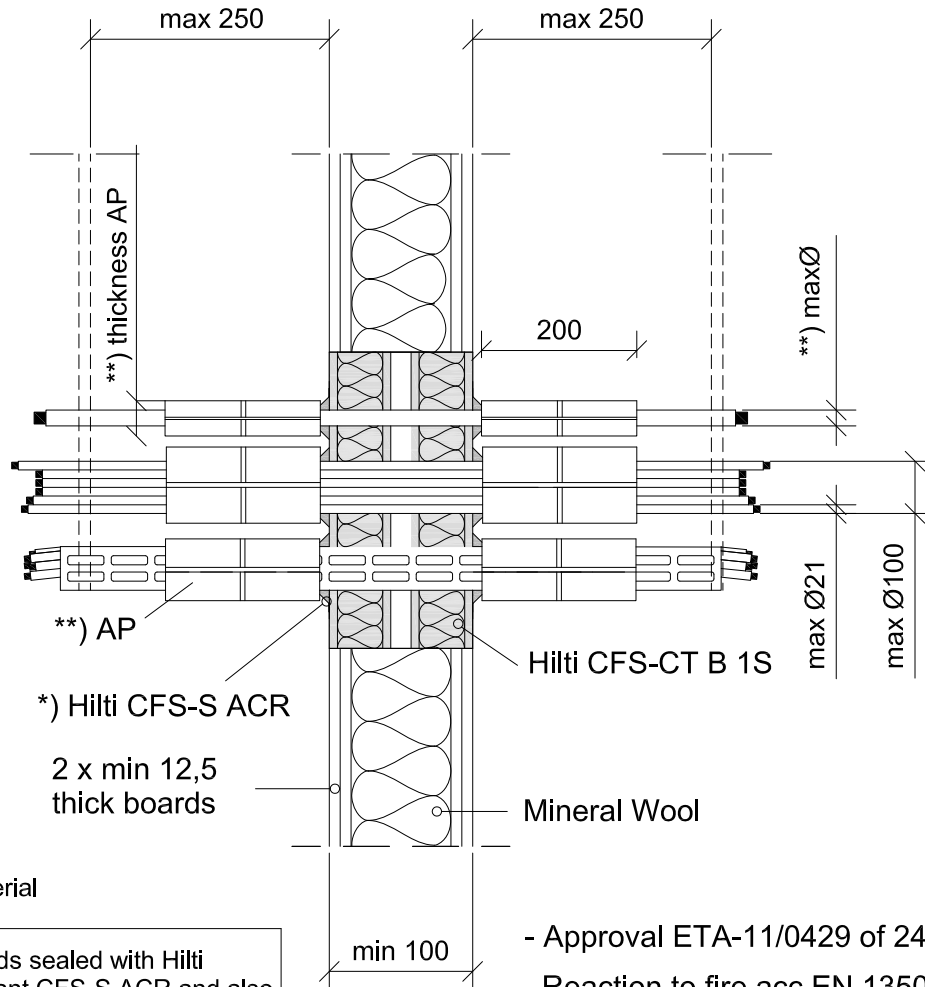
REV

00

No scale

All units are in millimetres

Fire Rating EI 120

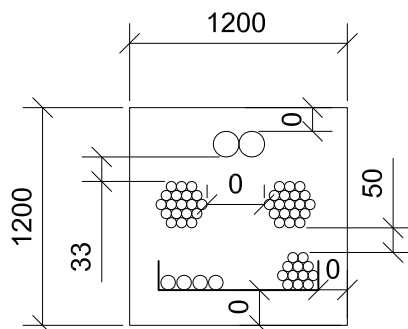


*) Annular gap fill material

All cut edges of boards sealed with Hilti Firestop Acrylic Sealant CFS-S ACR and also the remaining gaps around cables/cable supports and other services.

- Approval ETA-11/0429 of 24/11/2014
- Reaction to fire acc EN 13501-1
- Fire resistance test acc 1366-3
- Installation according to Hilti instructions

Max. opening (1200x1200) and minimum distance



**) Ø cables and additional protection	AP4a)	AP5a)
Ø max single sheated cable	21	80
Ø max single non- sheated cable	24	24
Ø max cable bundle	100	100
Ø max for a cable in a cable bundle	21	21

a) Mineral wool mat, al-facing outside, wrapped around the cables/cable supports on both sides of seal and fixed with wire, length along the cables 200 mm on each side of the seal. Thickness 20 (AP4) or 30 (AP5) mm



CONTENTS

Multiple in a rigid wall

ID

CAB-RW-MT-0123

FIRESTOP COATED BOARD

0123_01

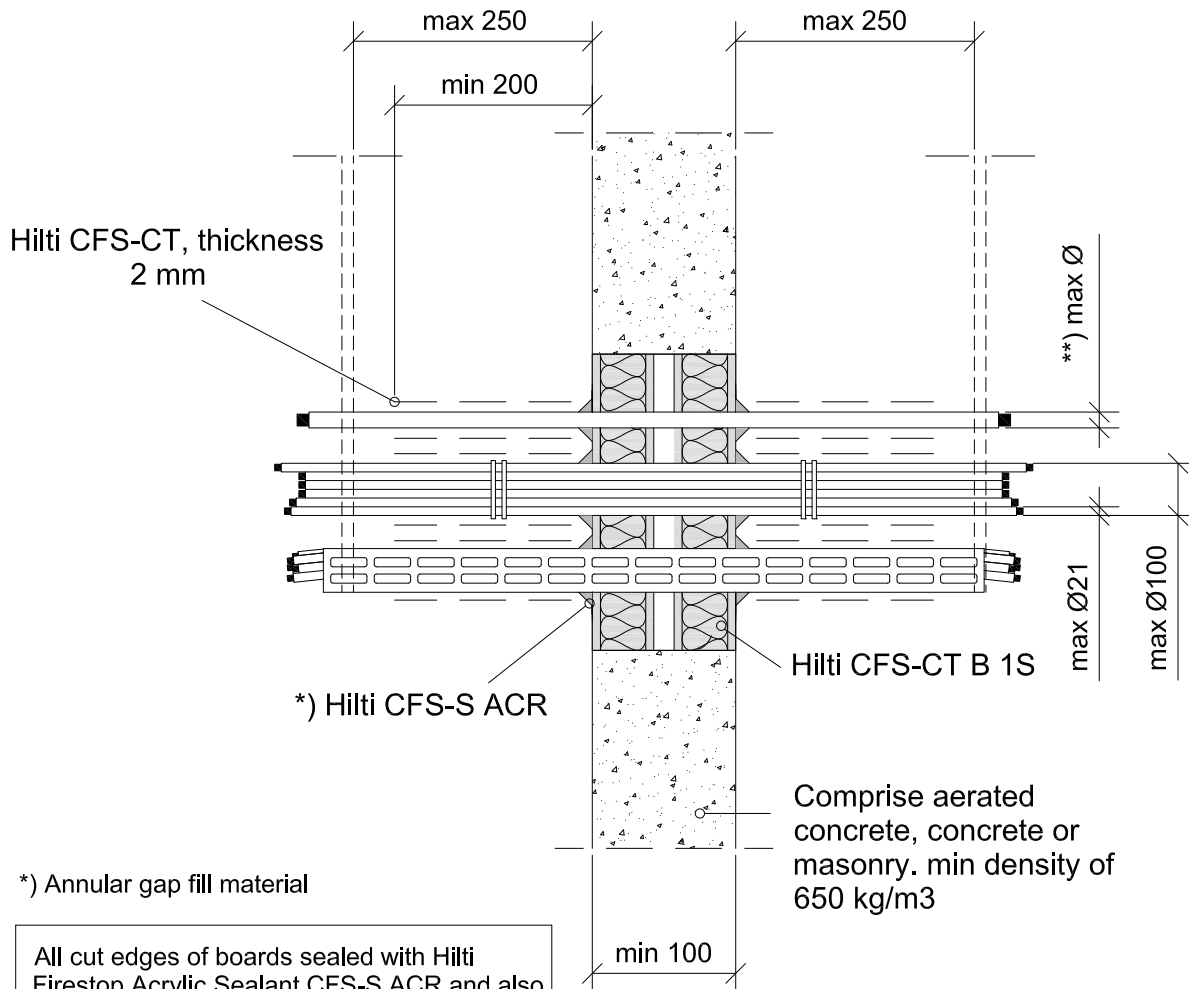
REV

00

No scale

All units are in millimetres

Fire Rating EI 60

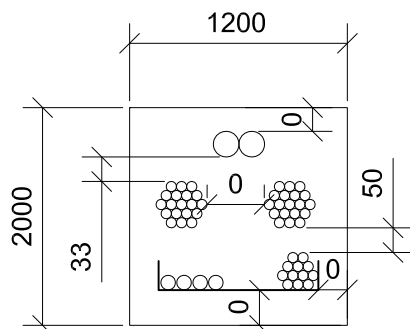


*) Annular gap fill material

All cut edges of boards sealed with Hilti Firestop Acrylic Sealant CFS-S ACR and also the remaining gaps around cables/cable supports and other services.

Comprise aerated concrete, concrete or masonry. min density of 650 kg/m3

Max. opening (1200x2000) and minimum distance



- Approval ETA-11/0429 of 24/11/2014
- Reaction to fire acc EN 13501-1
- Fire resistance test acc 1366-3
- Installation according to Hilti instructions

**) Ø cables

Ø max single sheathed cable	80
Ø max single non- sheathed cable	24
Ø max cable bundle	100
Ø max for a cable in a cable bundle	21



CONTENTS

Multiple in a rigid wall

ID

CAB-RW-MT-0126

FIRESTOP COATED BOARD

0126_01

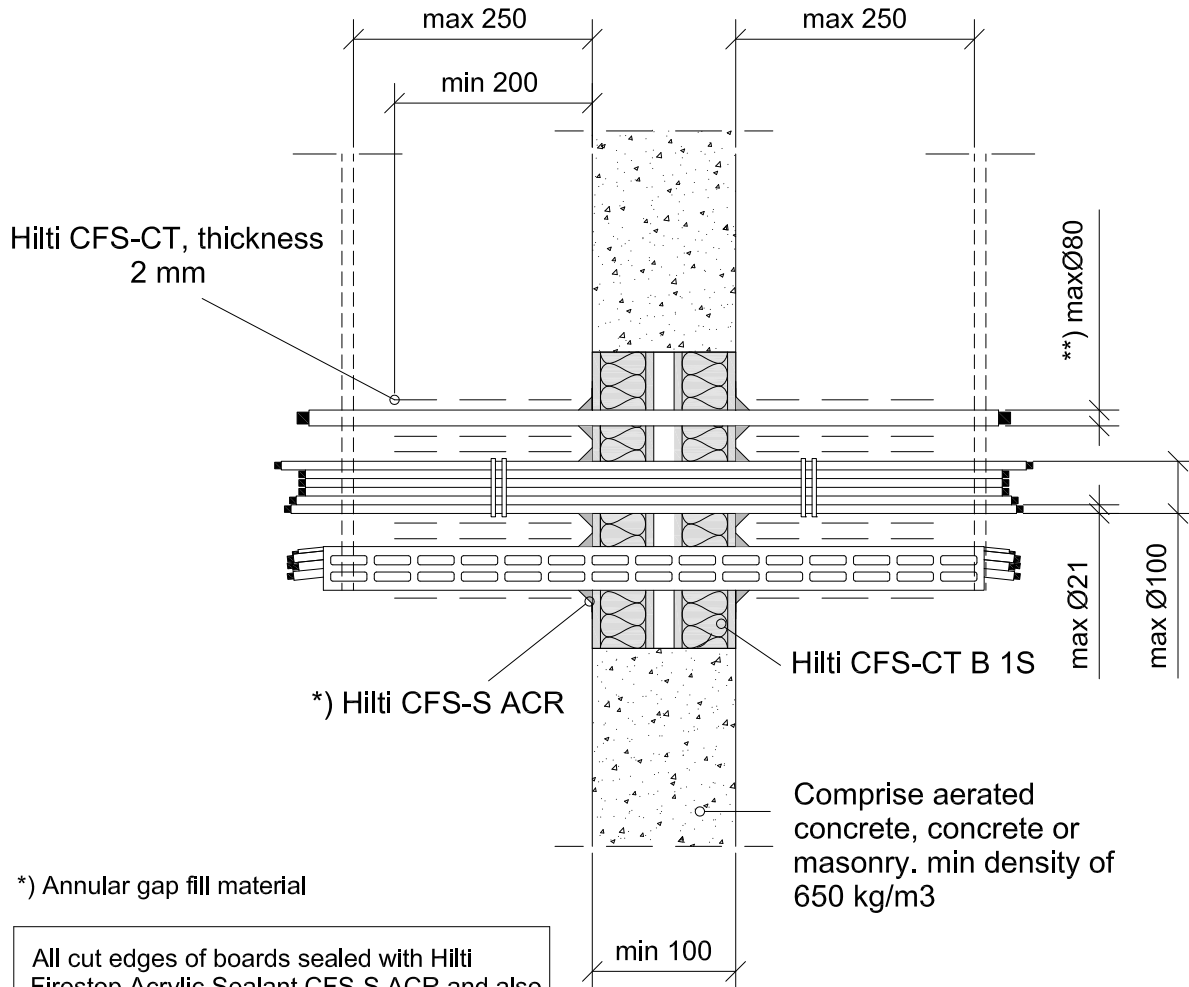
REV

00

No scale

All units are in millimetres

Fire Rating EI 90

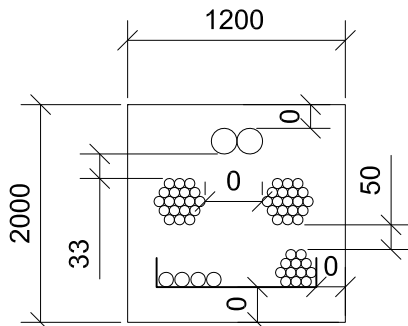


*) Annular gap fill material

All cut edges of boards sealed with Hilti Firestop Acrylic Sealant CFS-S ACR and also the remaining gaps around cables/cable supports and other services.

Comprise aerated concrete, concrete or masonry. min density of 650 kg/m³

Max. opening (1200x2000) and minimum distance



- Approval ETA-11/0429 of 24/11/2014
- Reaction to fire acc EN 13501-1
- Fire resistance test acc 1366-3
- Installation according to Hilti instructions

**) Ø cables

Ø max single sheathed cable	80
Ø max single non- sheathed cable	---
Ø max cable bundle	100
Ø max for a cable in a cable bundle	21



CONTENTS

Multiple in a rigid wall

ID

CAB-RW-MT-0129

FIRESTOP COATED BOARD

0129_01

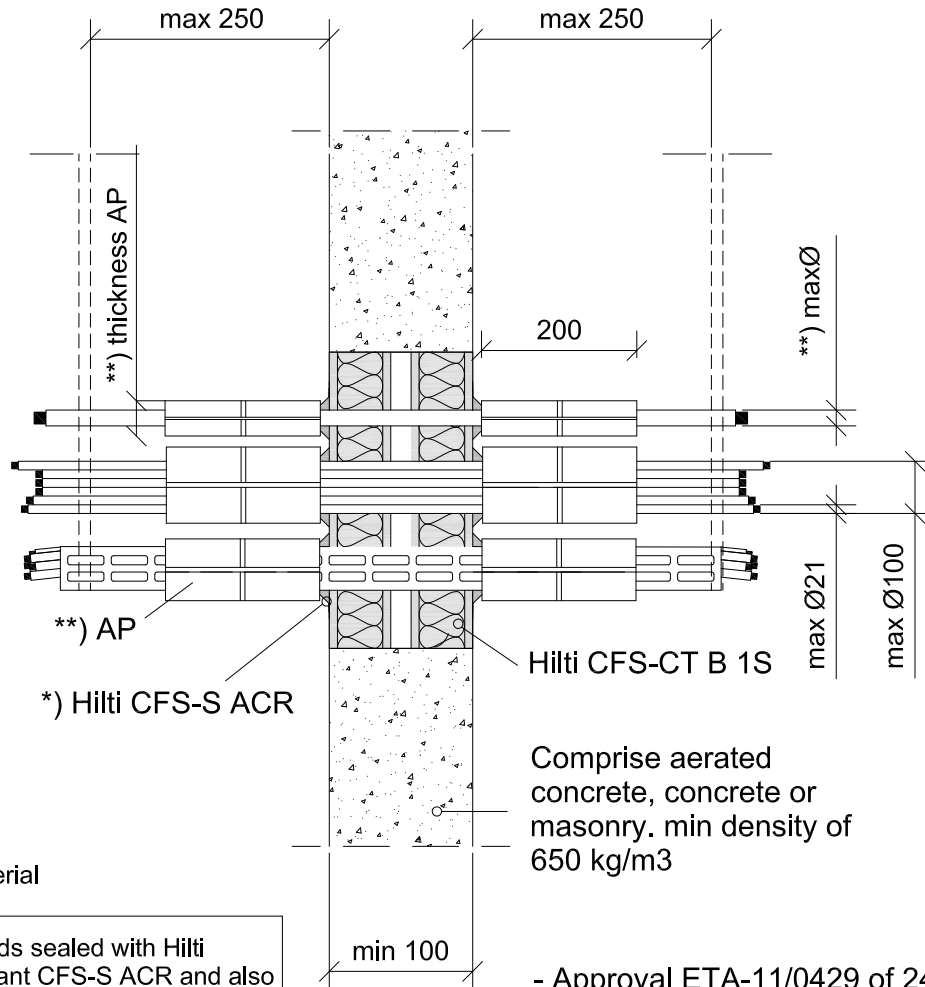
REV

00

No scale

All units are in millimetres

Fire Rating EI 120



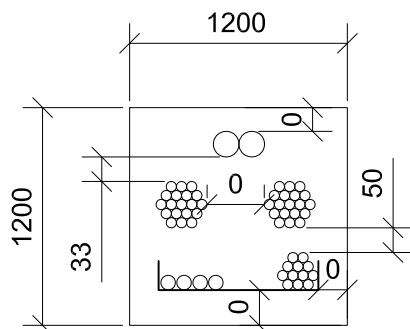
*) Annular gap fill material

All cut edges of boards sealed with Hilti Firestop Acrylic Sealant CFS-S ACR and also the remaining gaps around cables/cable supports and other services.

Comprise aerated concrete, concrete or masonry. min density of 650 kg/m3

- Approval ETA-11/0429 of 24/11/2014
- Reaction to fire acc EN 13501-1
- Fire resistance test acc 1366-3
- Installation according to Hilti instructions

Max. opening (1200x1200) and minimum distance



**) Ø cables and additional protection	AP4a)	AP5a)
Ø max single sheated cable	21	80
Ø max single non- sheated cable	24	24
Ø max cable bundle	100	100
Ø max for a cable in a cable bundle	21	21

a) Mineral wool mat, al-facing outside, wrapped around the cables/cable supports on both sides of seal and fixed with wire, length along the cables 200 mm on each side of the seal. Thickness 20 (AP4) or 30 (AP5) mm



CONTENTS

Multiple in a rigid floor

ID

CAB-RF-MT-0135

FIRESTOP COATED BOARD

0135_01

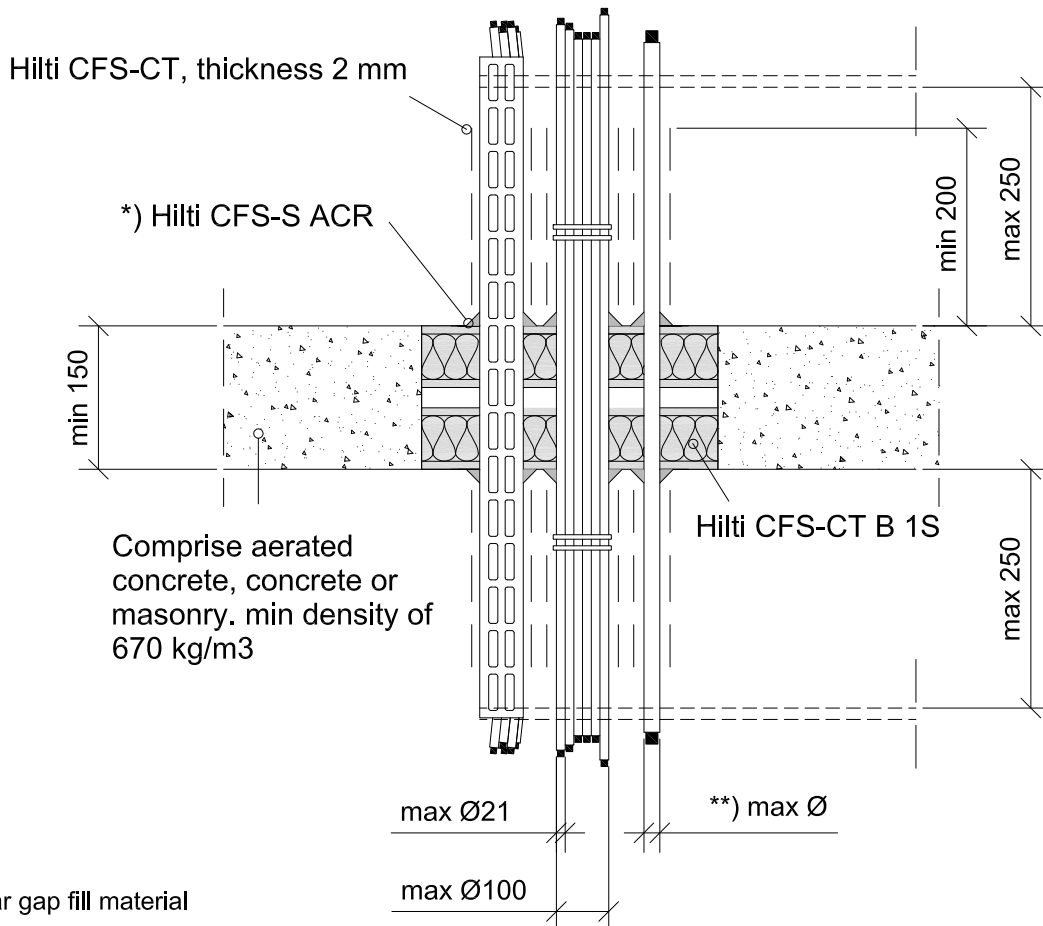
REV

00

No scale

All units are in millimetres

Fire Rating EI 60

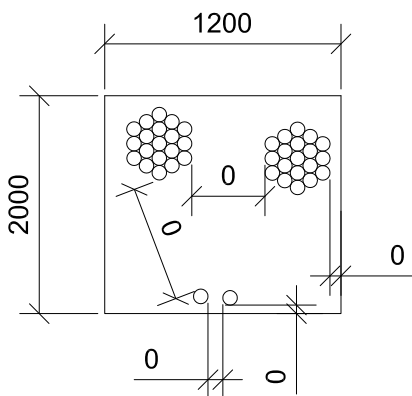


*) Annular gap fill material

All cut edges of boards sealed with Hilti Firestop Acrylic Sealant CFS-S ACR and also the remaining gaps around cables/cable supports and other services.

- Approval ETA-11/0429 of 24/11/2014
- Reaction to fire acc EN 13501-1
- Fire resistance test acc 1366-3
- Installation according to Hilti instructions

Max. opening (1200x2000) and minimum distance



**) Ø cables (with or without cable support)

Ø max single sheathed cable	80
Ø max single non- sheathed cable	24
Ø max cable bundle	100
Ø max for a cable in a cable bundle	21



CONTENTS

Multiple in a rigid floor

ID

CAB-RF-MT-0138

FIRESTOP COATED BOARD

0138_01

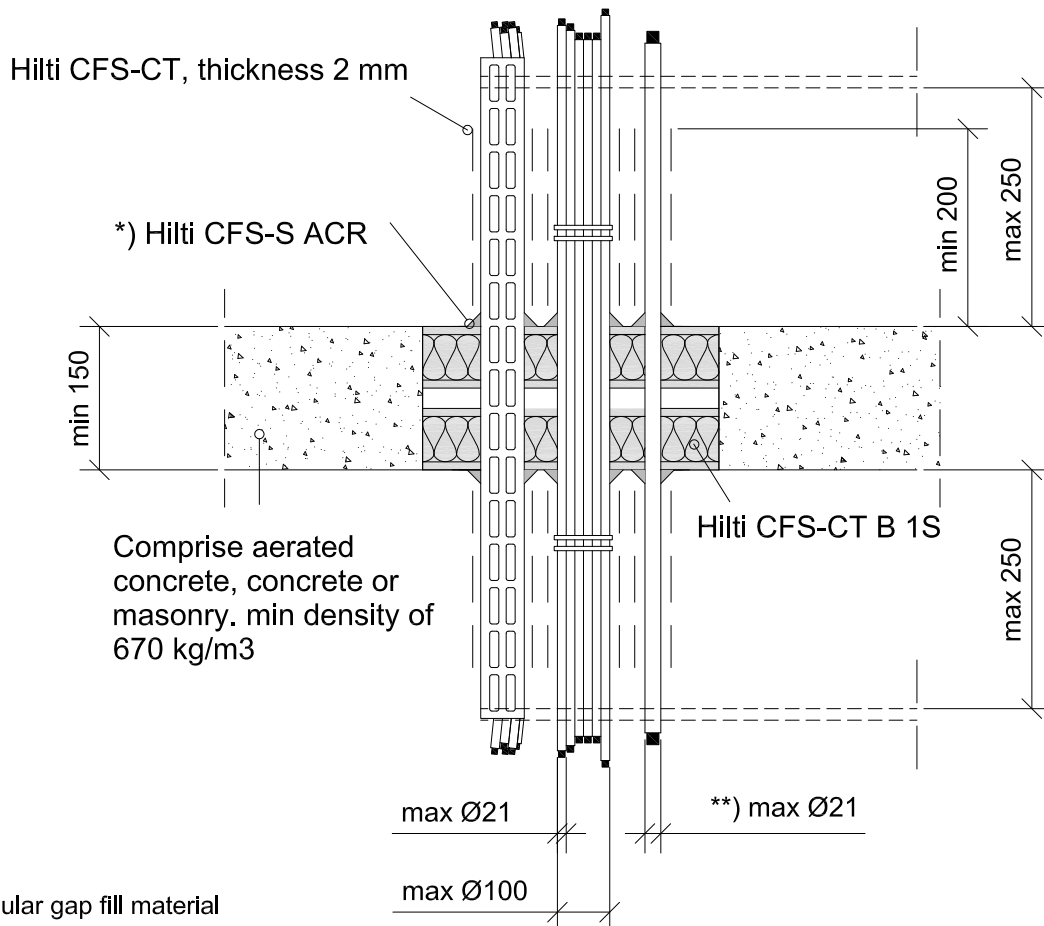
REV

00

No scale

All units are in millimetres

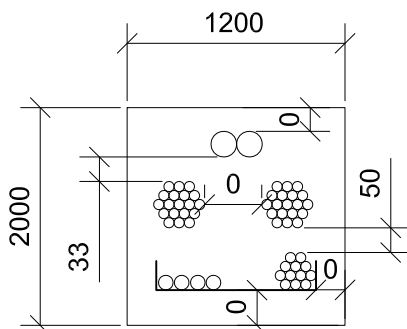
Fire Rating EI 90



*) Annular gap fill material

All cut edges of boards sealed with Hilti Firestop Acrylic Sealant CFS-S ACR and also the remaining gaps around cables/cable supports and other services.

Max. opening (1200x2000) and minimum distance



- Approval ETA-11/0429 of 24/11/2014
- Reaction to fire acc EN 13501-1
- Fire resistance test acc 1366-3
- Installation according to Hilti instructions

**) Ø cables (with or without cable support (EI120))

Ø max single sheathed cable	21
Ø max single non- sheathed cable	---
Ø max cable bundle	100
Ø max for a cable in a cable bundle	21

