

# Technical drawing package for Firestop Intumescent Sealant CFS-IS



## • Applications for SINGLE, CABLE BUNDLES AND STEEL/PLASTIC CONDUITS

### Single and cable bundles

- 100 mm flexible wall (max opening 150x150 or  $\emptyset$  equi size) CAB-FW-BD-0209/210
- 100 mm rigid wall (max opening 150x150 or  $\emptyset$  equi size) CAB-RW-BD-0213/214/215
- 150 mm rigid floor (max opening 150x150 or  $\emptyset$  equi size) CAB-RF-BD-0217/218

### Single cables

- 100 mm flexible wall (max opening 150x150 or  $\emptyset$  equi size) CAB-FW-SG-0211

### Steel and plastic conduits

- 100 mm flexible wall (max opening 150x150 or  $\emptyset$  equi size) CAB-FW-CD-0212
- 100 mm rigid wall (max opening 150x150 or  $\emptyset$  equi size) CAB-RW-CD-0216
- 150 mm rigid floor (max opening 150x150 or  $\emptyset$  equi size) CAB-RF-CD-0219/220

\* All the drawings are also available (on demand) in DWG for easy copy on your specs.



CONTENTS

Single and cable bundles in a flexible wall

ID

CAB-FW-BD-0209

FIRESTOP INTUMESCENT SEALANT

0209\_01

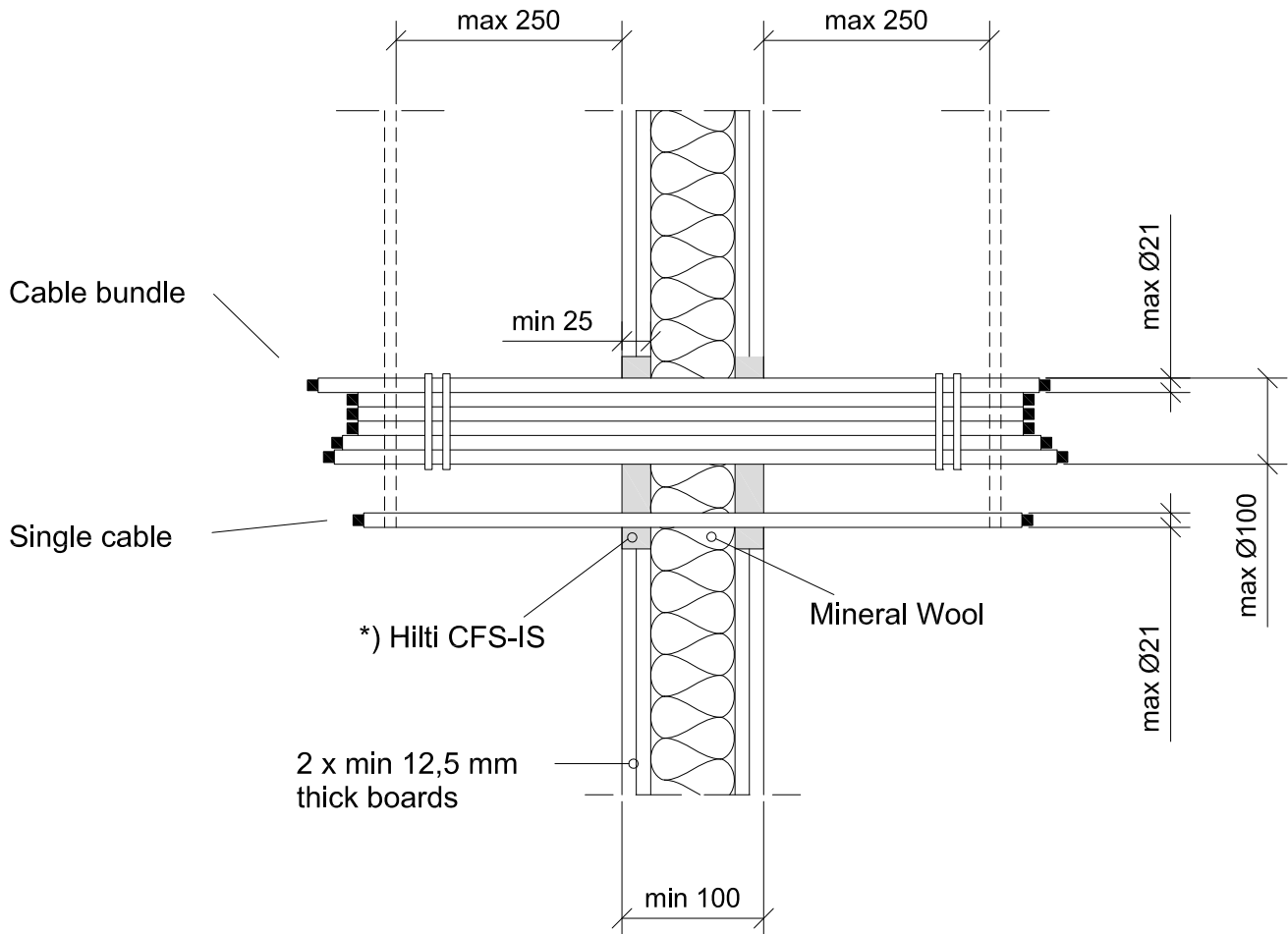
REV

00

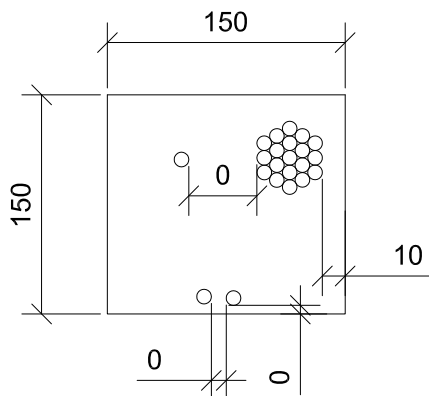
No scale

All units are in millimetres

Fire Rating EI 90



Max. opening (150x150 or circular openings of equivalent area) and minimum distance



- Approval ETA-10/0406 of 28/06/2013
- Reaction to fire acc EN 13501-1
- Fire resistance test acc 1366-3
- Installation according to Hilti instructions

\*) CFS-IS on both sides, thickness 25 mm, mineral wool tightly compressed as backfilling material with thickness > 50 mm (gap filled completely)



CONTENTS

Single and cable bundles in a flexible wall

ID

CAB-FW-BD-0210

FIRESTOP INTUMESCENT SEALANT

0210\_01

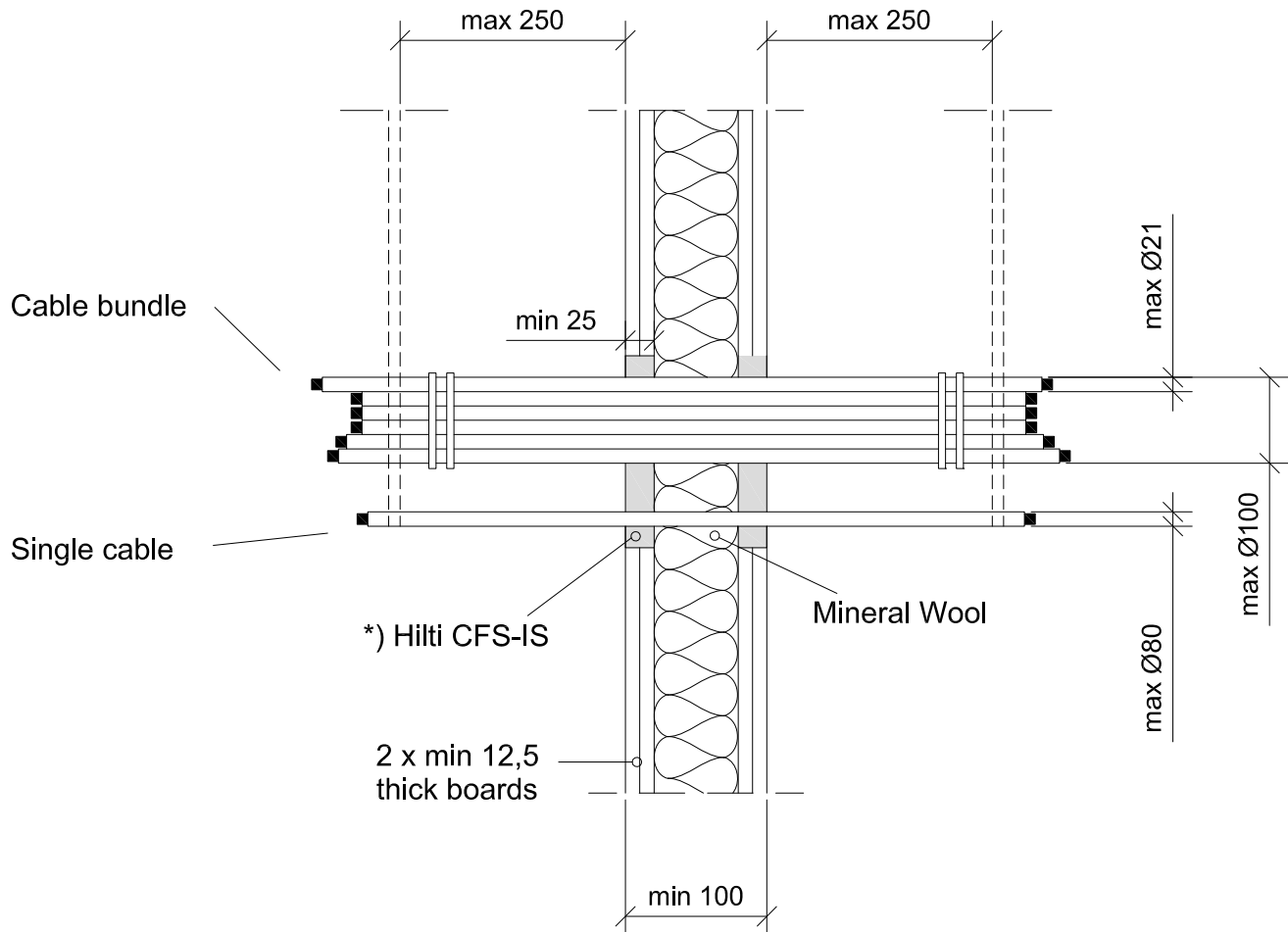
REV

00

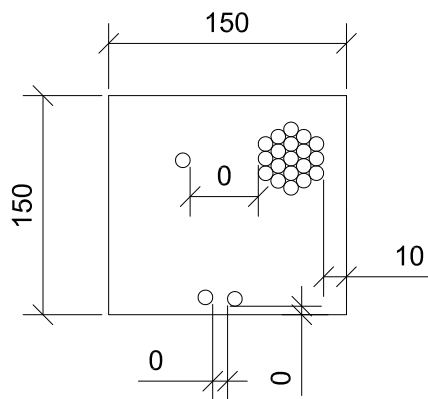
No scale

All units are in millimetres

Fire Rating EI 60



Max. opening (150x150 or circular openings of equivalent area) and minimum distance



- Approval ETA-10/0406 of 28/06/2013
- Reaction to fire acc EN 13501-1
- Fire resistance test acc 1366-3
- Installation according to Hilti instructions

\*) CFS-IS on both sides, thickness 25 mm, mineral wool tightly compressed as backfilling material with thickness > 50 mm (gap filled completely)



CONTENTS

Single cables in a flexible wall

ID

CAB-FW-SG-0211

FIRESTOP INTUMESCENT  
SEALANT

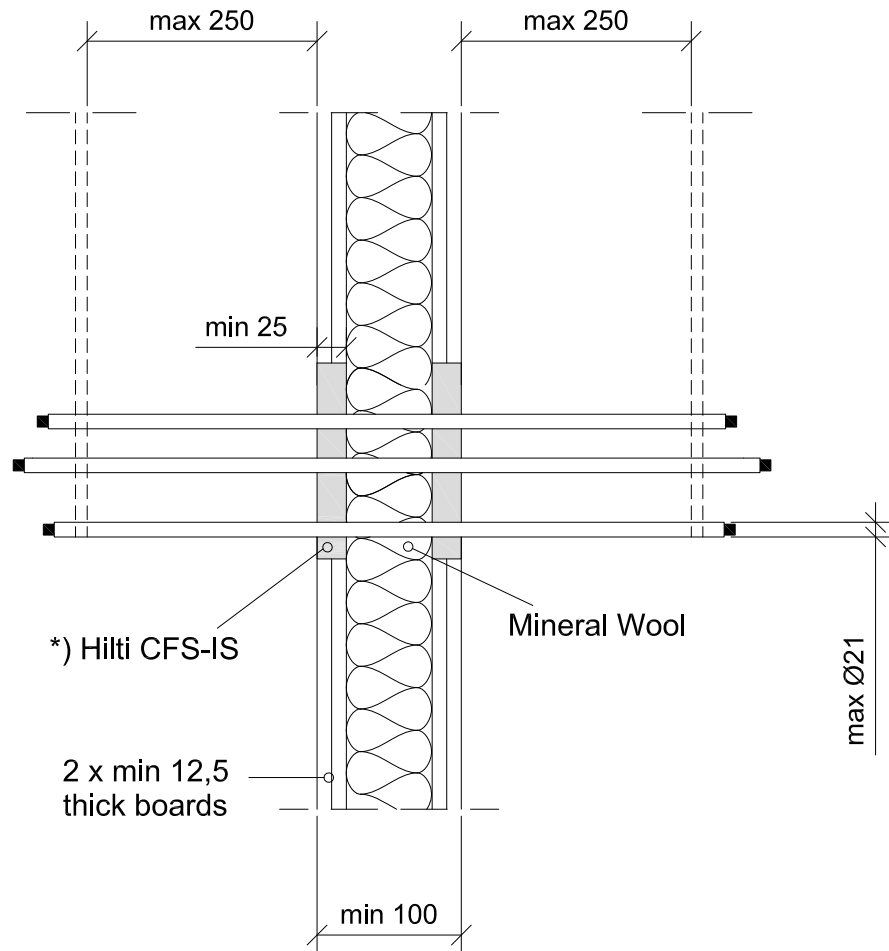
0211\_01

REV  
00

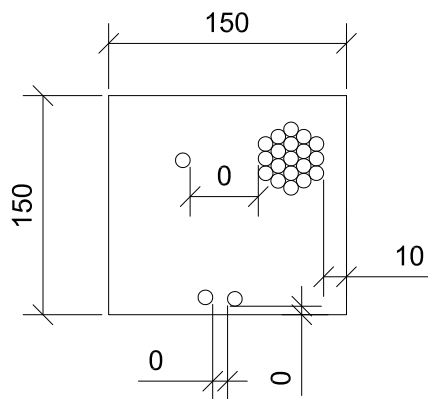
No scale

All units are in milimetres

Fire Rating EI 120



Max. opening (150x150 or circular openings of equivalent area) and minimum distance



- Approval ETA-10/0406 of 28/06/2013
- Reaction to fire acc EN 13501-1
- Fire resistance test acc 1366-3
- Installation according to Hilti instructions

\*) CFS-IS on both sides, thickness 25 mm, mineral wool tightly compressed as backfilling material with thickness > 50 mm (gap filled completely)



CONTENTS

Steel and plastic conduits in a flexible wall

ID

CAB-FW-CD-0212

FIRESTOP INTUMESCENT SEALANT

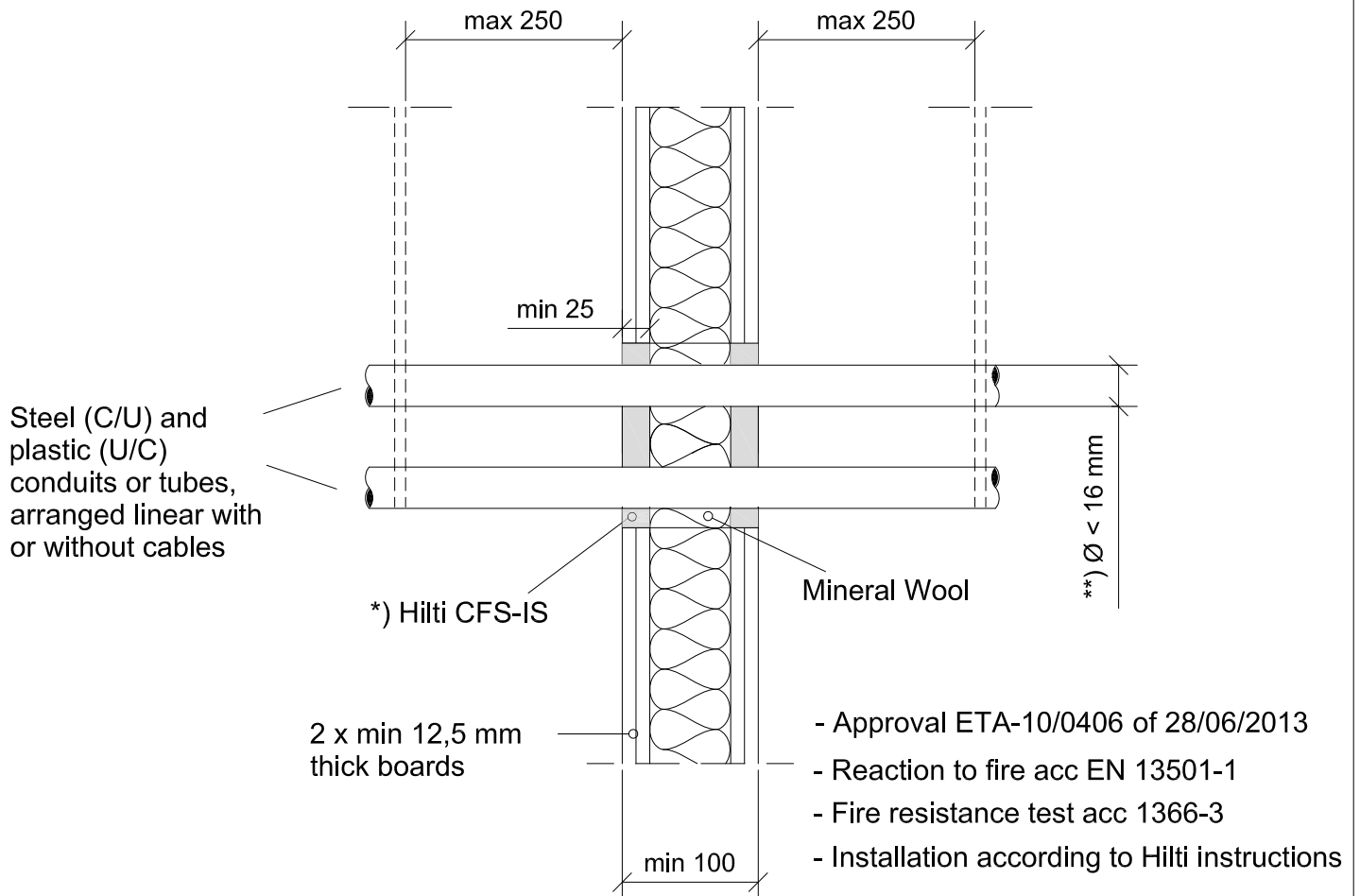
0212\_01

REV 00

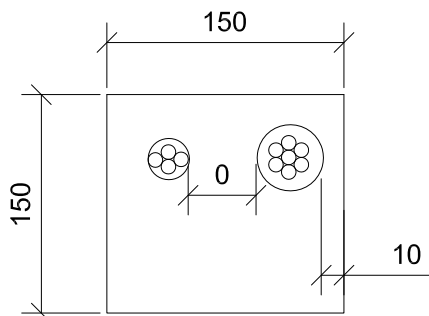
No scale

All units are in millimetres

Fire Rating EI 120



Max. opening (150x150 or circular openings of equivalent area) and minimum distance



\*) CFS-IS on both sides, thickness 25 mm, mineral wool tightly compressed as backfilling material with thickness > 50 mm ( gap filled completely)

\*\*) Valid also for plastic conduits,  $\varnothing < 32$  mm with wall thickness 1-3 mm, arranged linear or in a cluster, with or without cables. (distance between conduits to other services = 10 mm)



CONTENTS

Single and cable bundles in a rigid wall

ID

CAB-RW-BD-0213

FIRESTOP INTUMESCENT SEALANT

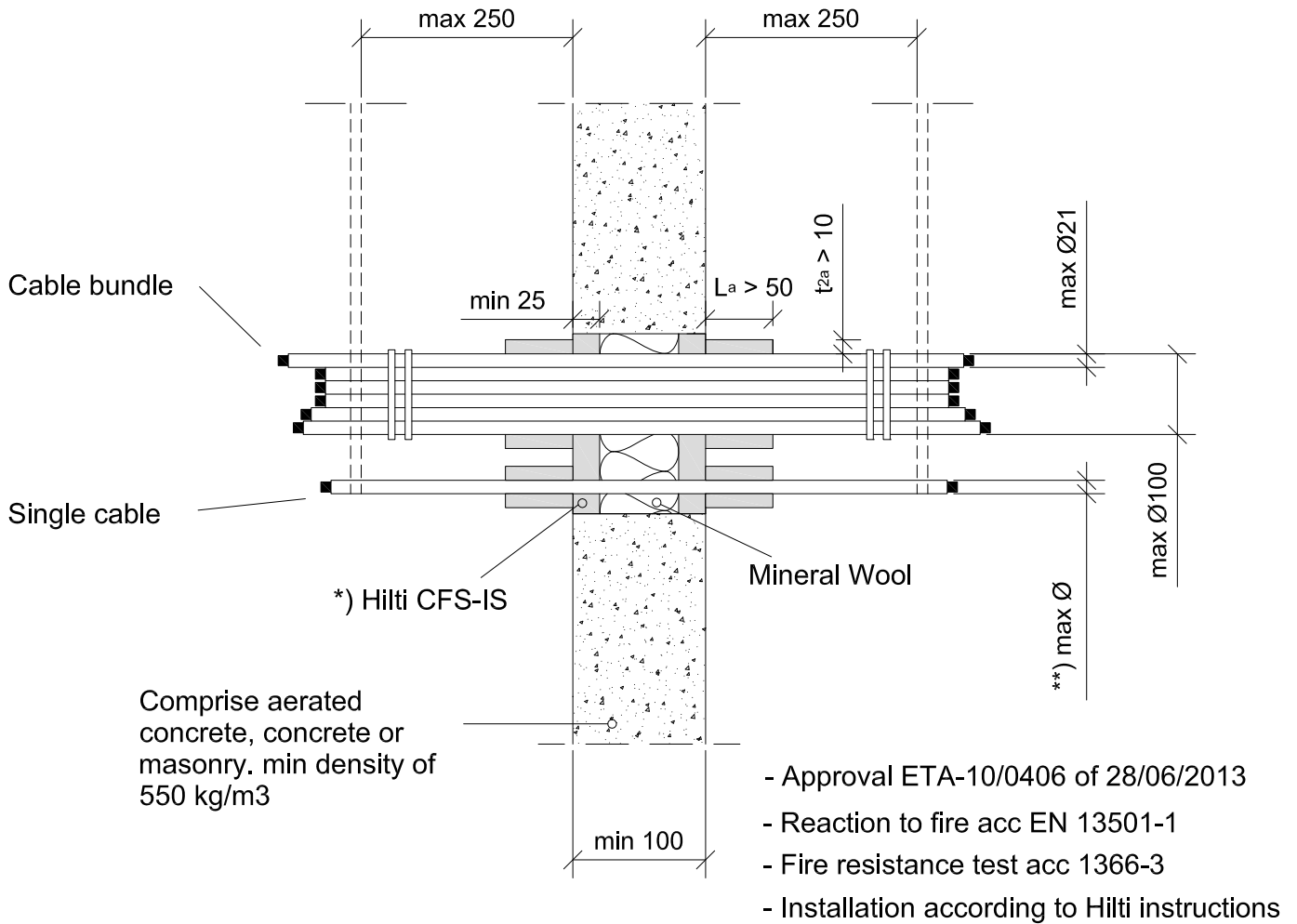
0213\_01

REV 00

No scale

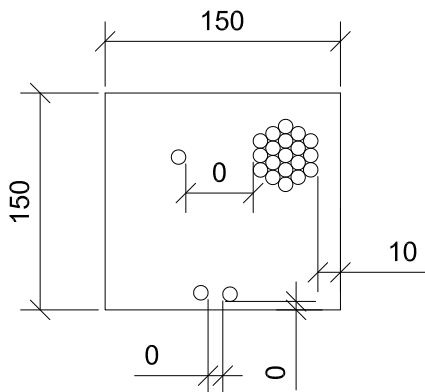
Fire Rating EI 120

All units are in millimetres



Max. opening (150x150 or circular openings of equivalent area) and minimum distance

\*) CFS-IS on both sides, thickness 25 mm, mineral wool tightly compressed as backfilling material with thickness > 50 mm (gap filled completely)



\*\*) Seal Type and Ø cables

	Seal Type 1	Seal Type 2 a)
Ø max single sheathed cable	---	80
Ø max cable bundle	---	100
Ø max for a cable in a cable bundle	---	21

a) Additional sealant CFS-IS on both sides ( $t_{2a} > 10$  and  $L_a > 50$ )



CONTENTS

Single and cable bundles in a rigid wall

ID

CAB-RW-BD-0214

FIRESTOP INTUMESCENT SEALANT

0214\_01

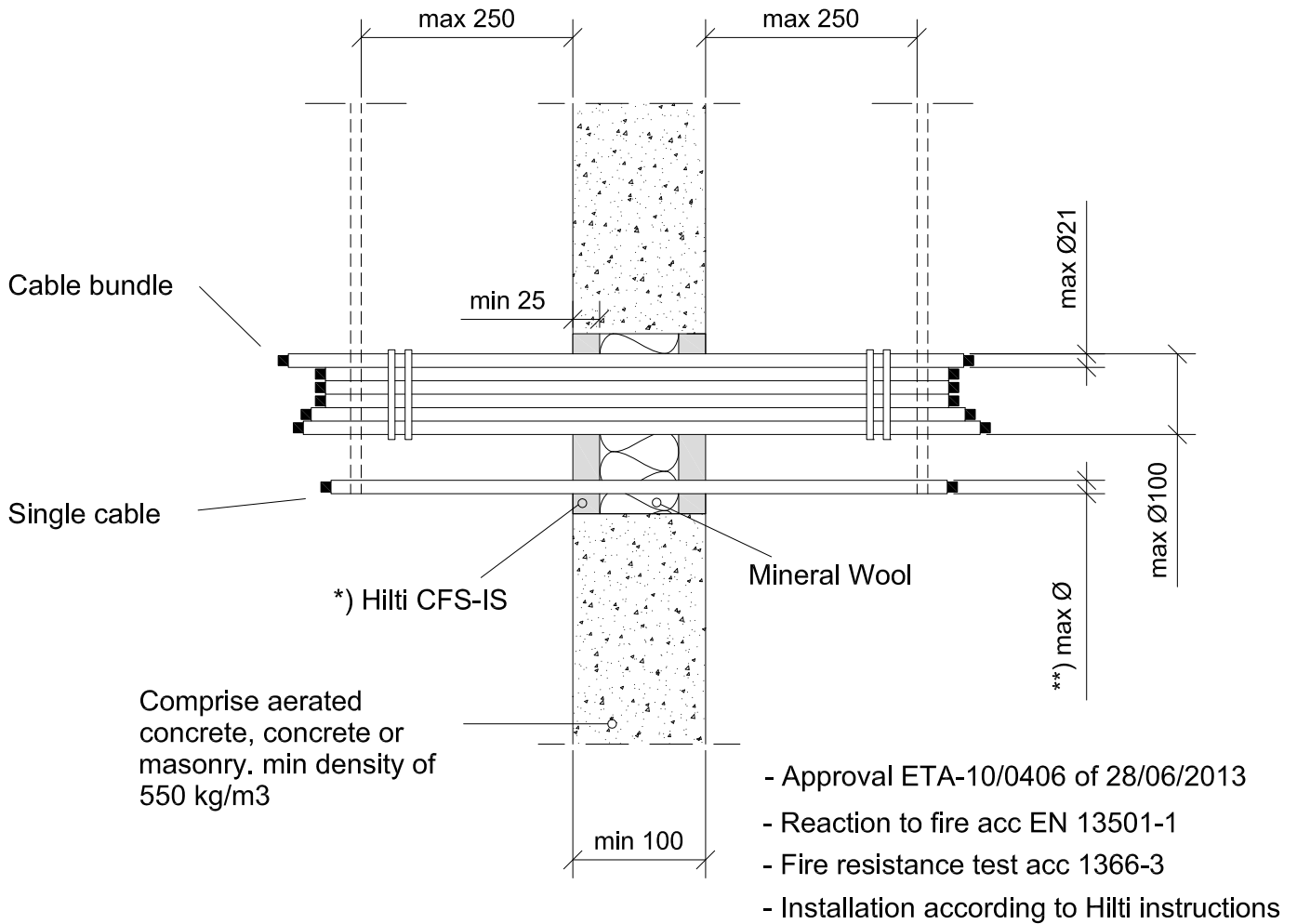
REV

00

No scale

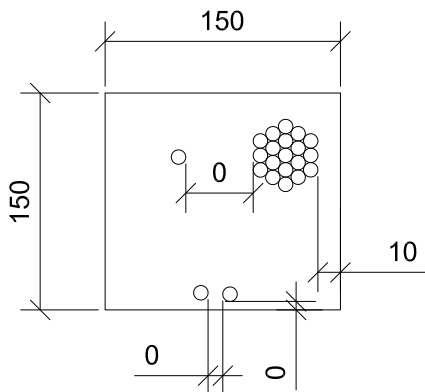
All units are in millimetres

Fire Rating EI 90



Max. opening (150x150 or circular openings of equivalent area) and minimum distance

\*') CFS-IS on both sides, thickness 25 mm, mineral wool tightly compressed as backfilling material with thickness > 50 mm (gap filled completely)



\*\*') Seal Type and Ø cables

	Seal Type 1	Seal Type 2 a)
Ø max single sheathed cable	21	80
Ø max cable bundle	100	100
Ø max for a cable in a cable bundle	21	21

a) Additional sealant CFS-IS on both sides ( $t_{2a} > 10$  and  $L_a > 50$ )



CONTENTS

Single and cable bundles in a rigid wall

ID

CAB-RW-BD-0215

FIRESTOP INTUMESCENT SEALANT

0215\_01

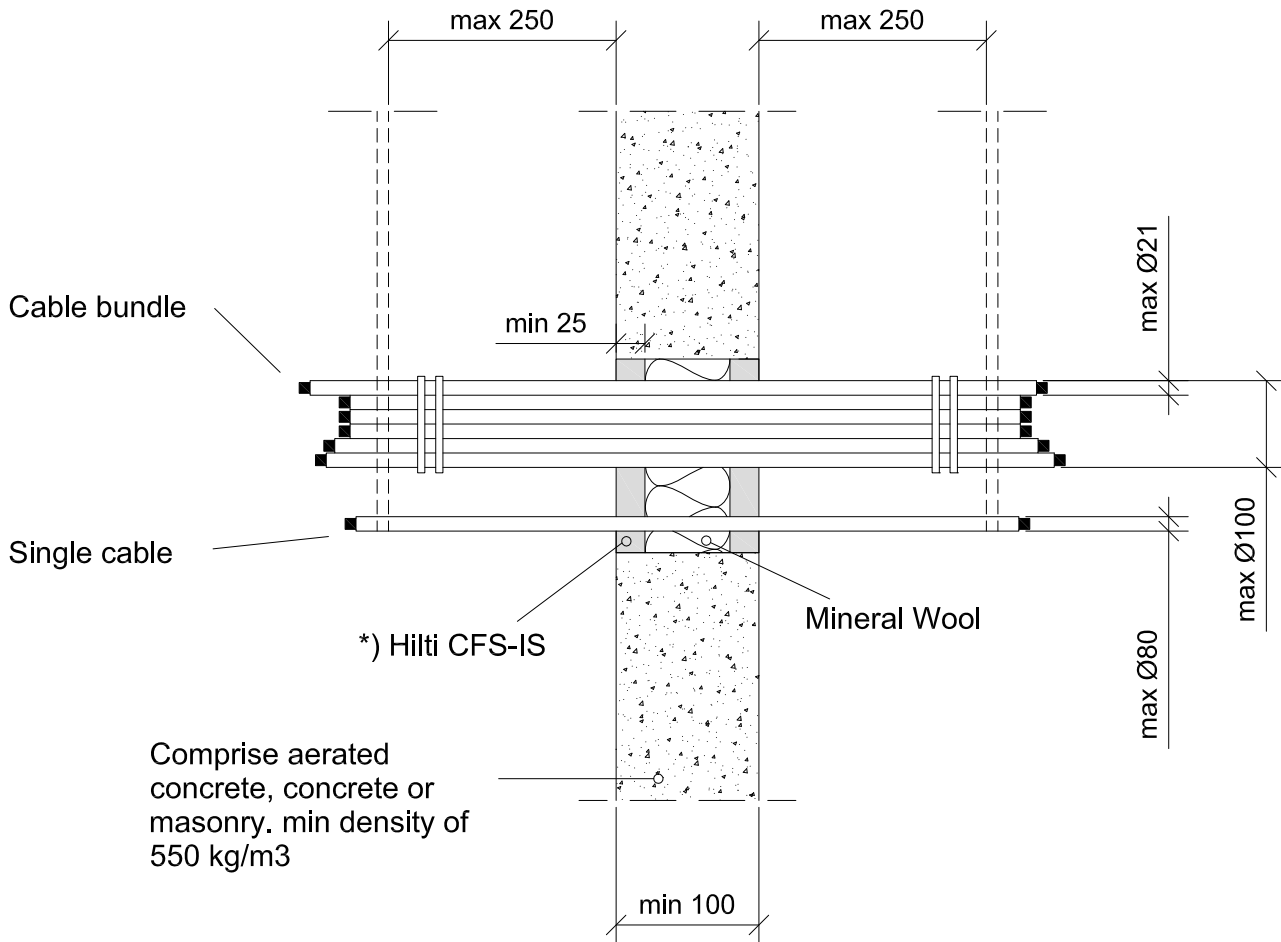
REV

00

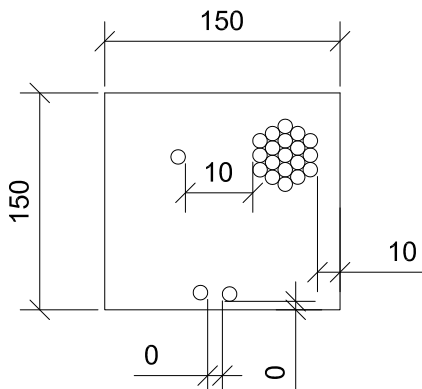
No scale

All units are in millimetres

Fire Rating EI 60



Max. opening (150x150 or circular openings of equivalent area) and minimum distance



- Approval ETA-10/0406 of 28/06/2013
- Reaction to fire acc EN 13501-1
- Fire resistance test acc 1366-3
- Installation according to Hilti instructions

\*) CFS-IS on both sides, thickness 25 mm, mineral wool tightly compressed as backfilling material with thickness > 50 mm (gap filled completely)





CONTENTS

Steel and plastic conduits in a rigid wall

ID

CAB-RW-CD-0216

FIRESTOP INTUMESCENT SEALANT

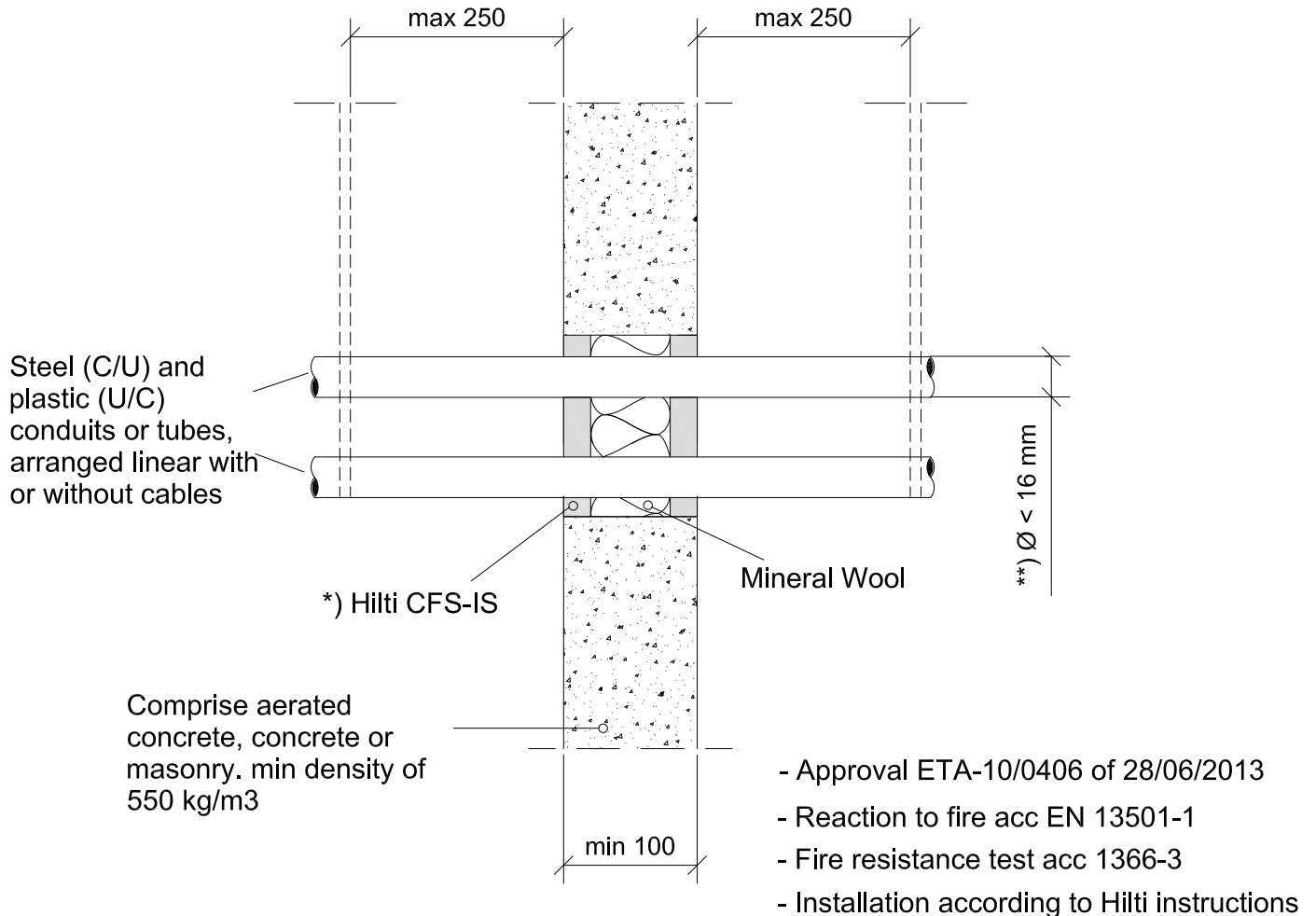
0216\_01

REV 00

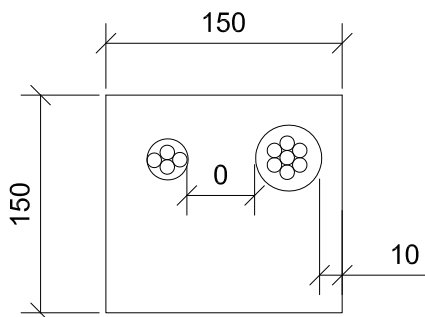
No scale

All units are in millimetres

Fire Rating EI 120



Max. opening (150x150 or circular openings of equivalent area) and minimum distance



\*) CFS-IS on both sides, thickness 25 mm, mineral wool tightly compressed as backfilling material with thickness > 100 mm ( gap filled completely)

\*\* ) Valid also for plastic conduits,  $\varnothing < 32$  mm with wall thickness 1-3 mm, arranged linear or in a cluster, with or without cables. (distance between conduits to other services = 10 mm)



CONTENTS

Single and cable bundles in a rigid floor

ID

CAB-RF-BD-0217

FIRESTOP INTUMESCENT SEALANT

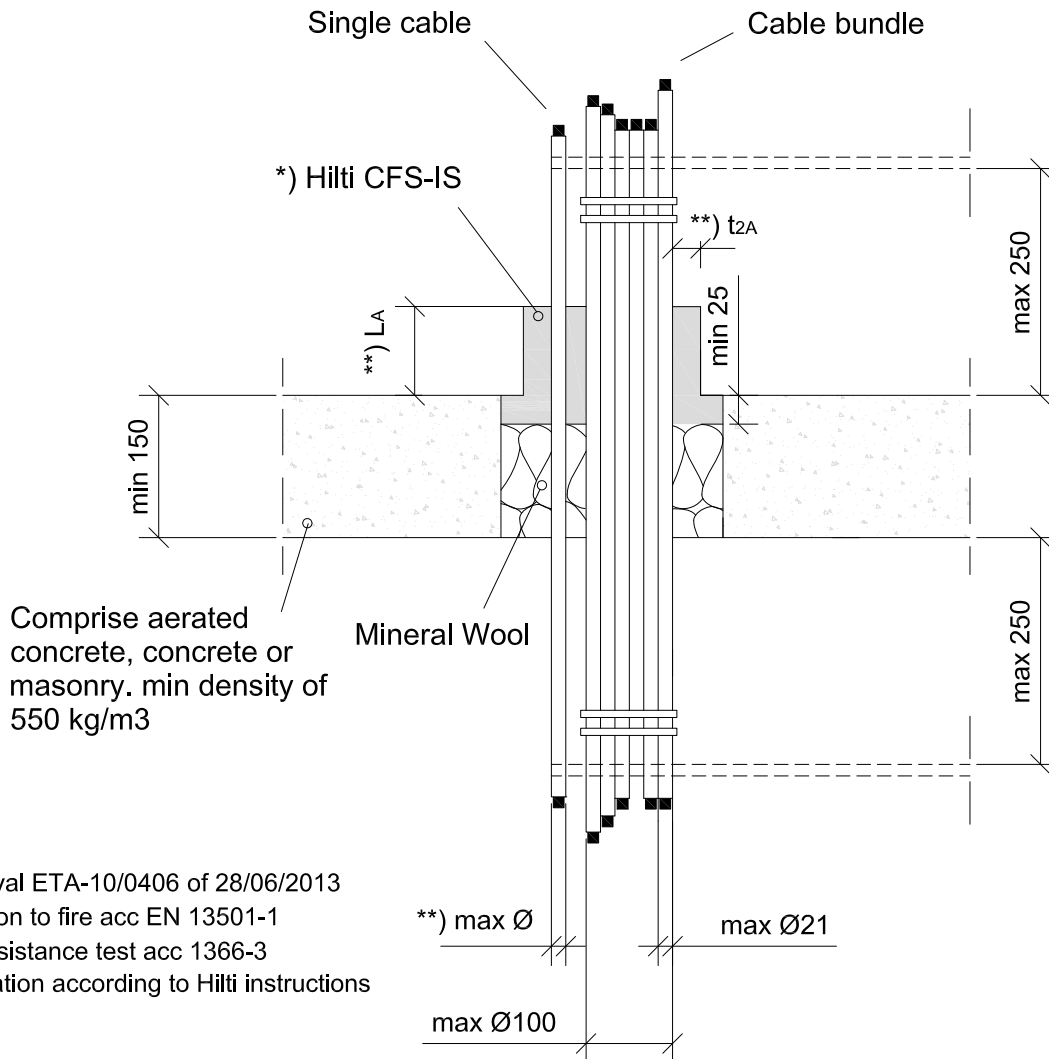
0217\_01

REV 00

No scale

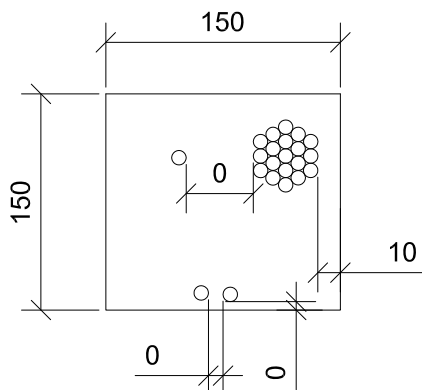
All units are in millimetres

Fire Rating EI 120



- Approval ETA-10/0406 of 28/06/2013
- Reaction to fire acc EN 13501-1
- Fire resistance test acc 1366-3
- Installation according to Hilti instructions

Max. opening (150x150 or circular openings of equivalent area) and minimum distance



\*\*) Seal type and Ø cables

	No additional sealant	Seal type 2
LA	0	> 100
t2A	0	> 10
Ø max single cable	21	80
Ø max cable bundle	---	100
Ø max for a cable in a cable bundle	---	21

\*) CFS-IS on both sides, thickness 25 mm, mineral wool tightly compressed as backfilling material with thickness > 125 mm ( gap filled completely) + additional sealant type 1 or 2



CONTENTS

Single and cable bundles in a rigid floor

ID

CAB-RF-BD-0218

FIRESTOP INTUMESCENT SEALANT

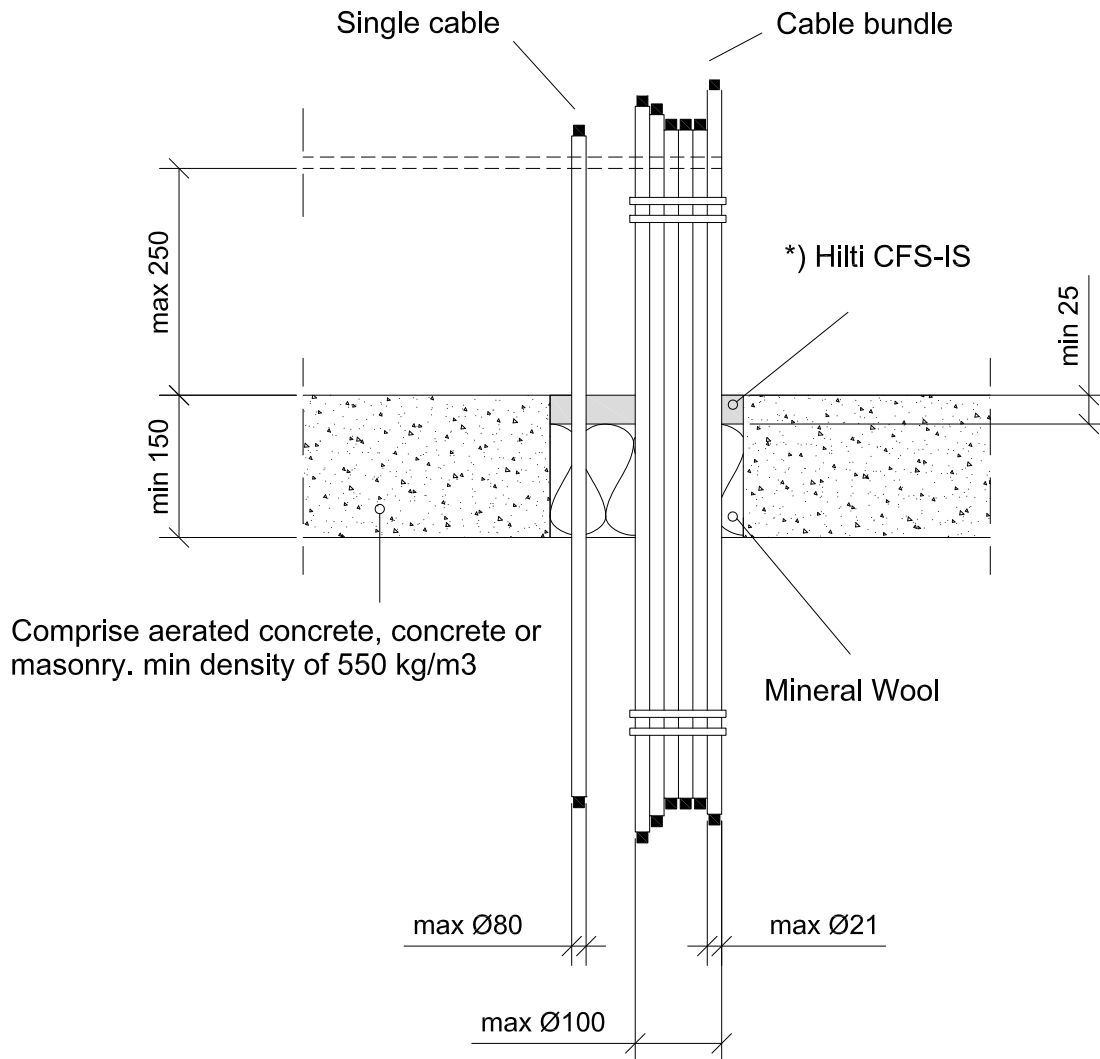
0218\_01

REV 00

No scale

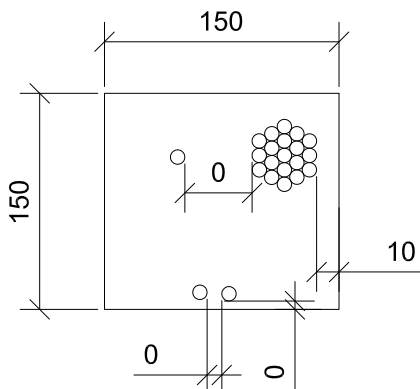
All units are in millimetres

Fire Rating EI 90



Comprise aerated concrete, concrete or masonry. min density of 550 kg/m<sup>3</sup>

Max. opening (150x150 or circular openings of equivalent area) and minimum distance



- Approval ETA-10/0406 of 28/06/2013
- Reaction to fire acc EN 13501-1
- Fire resistance test acc 1366-3
- Installation according to Hilti instructions

\*) CFS-IS on both sides, thickness 25 mm, mineral wool tightly compressed as backfilling material with thickness > 125 mm ( gap filled completely) + additional sealant type 1



CONTENTS

Steel and plastic conduits in a rigid floor

ID

CAB-RF-CD-0219

FIRESTOP INTUMESCENT SEALANT

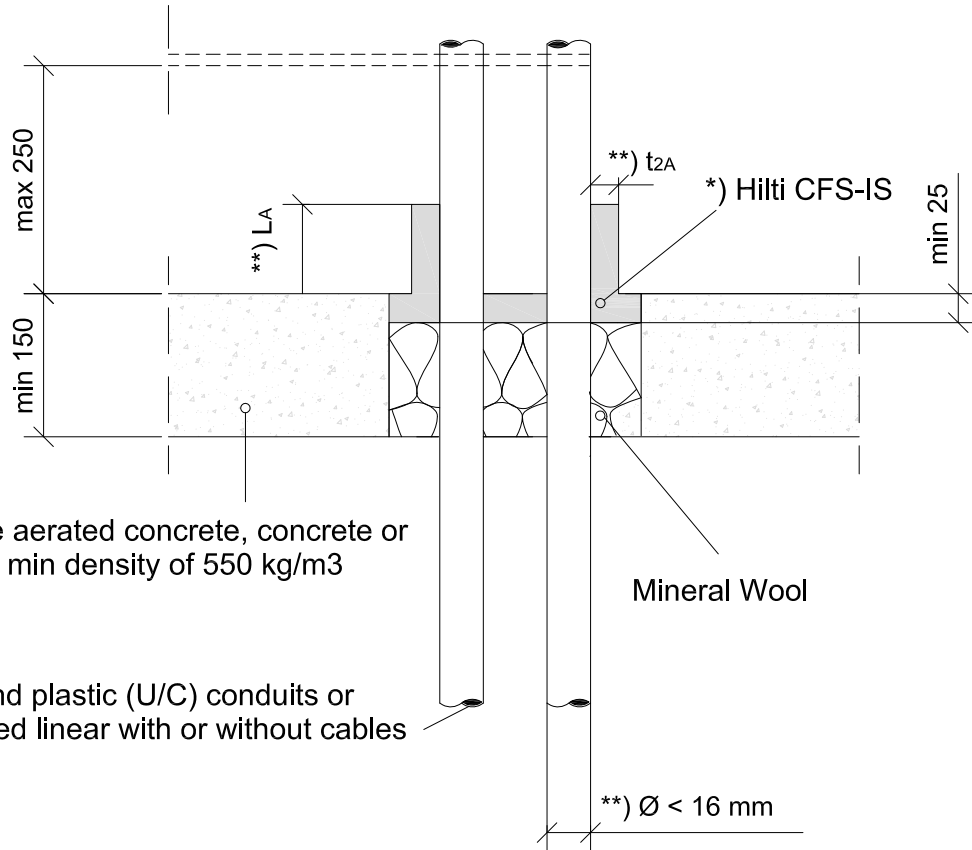
0219\_01

REV 00

No scale

All units are in millimetres

Fire Rating EI 120



Comprise aerated concrete, concrete or masonry. min density of 550 kg/m<sup>3</sup>

Steel (C/U) and plastic (U/C) conduits or tubes, arranged linear with or without cables

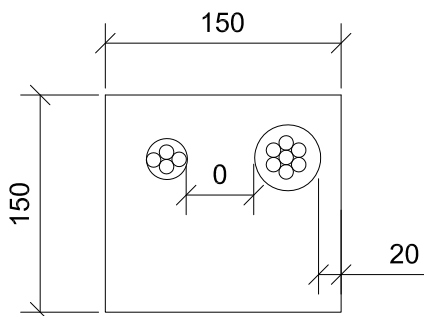
Mineral Wool

\*\* )  $\varnothing < 16 \text{ mm}$

- Approval ETA-10/0406 of 28/06/2013
- Reaction to fire acc EN 13501-1
- Fire resistance test acc 1366-3
- Installation according to Hilti instructions

\*) CFS-IS on both sides, thickness 25 mm, mineral wool tightly compressed as backfilling material with thickness > 125 mm ( gap filled completely) + additional sealant type 1 or 2

Max. opening (150x150 or circular openings of equivalent area) and minimum distance



\*\* ) Seal type

	Seal type 1 top only	Seal type 2 both sides
LA	> 50	> 50
t <sub>2A</sub>	> 10	> 10

With seal type 2 valid also for plastic conduits,  $\varnothing < 32 \text{ mm}$  with wall thickness 1-3 mm, arranged linear or in a cluster, with or without cables. (distance between conduits to other services = 10 mm)



CONTENTS

Steel and plastic conduits in a rigid floor

ID

CAB-RF-CD-0220

FIRESTOP INTUMESCENT SEALANT

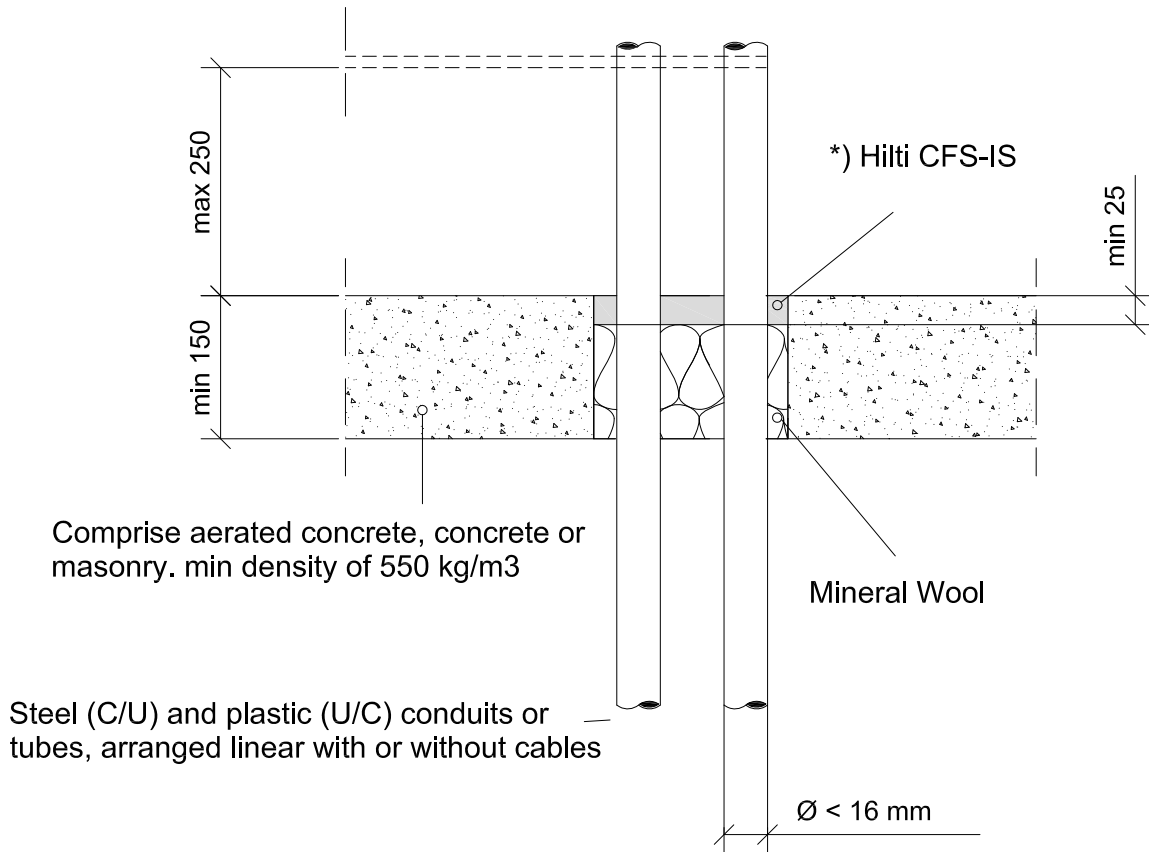
0220\_01

REV 00

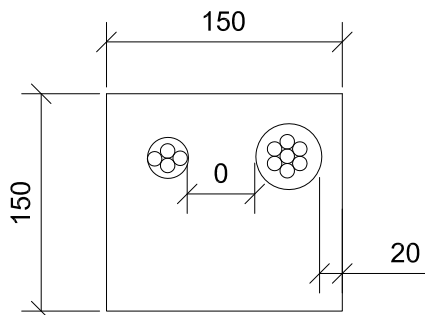
No scale

All units are in millimetres

Fire Rating EI 90



Max. opening (150x150 or circular openings of equivalent area) and minimum distance



- Approval ETA-10/0406 of 28/06/2013
- Reaction to fire acc EN 13501-1
- Fire resistance test acc 1366-3
- Installation according to Hilti instructions

\*) CFS-IS on both sides, thickness 25 mm, mineral wool tightly compressed as backfilling material with thickness > 100 mm ( gap filled completely)