

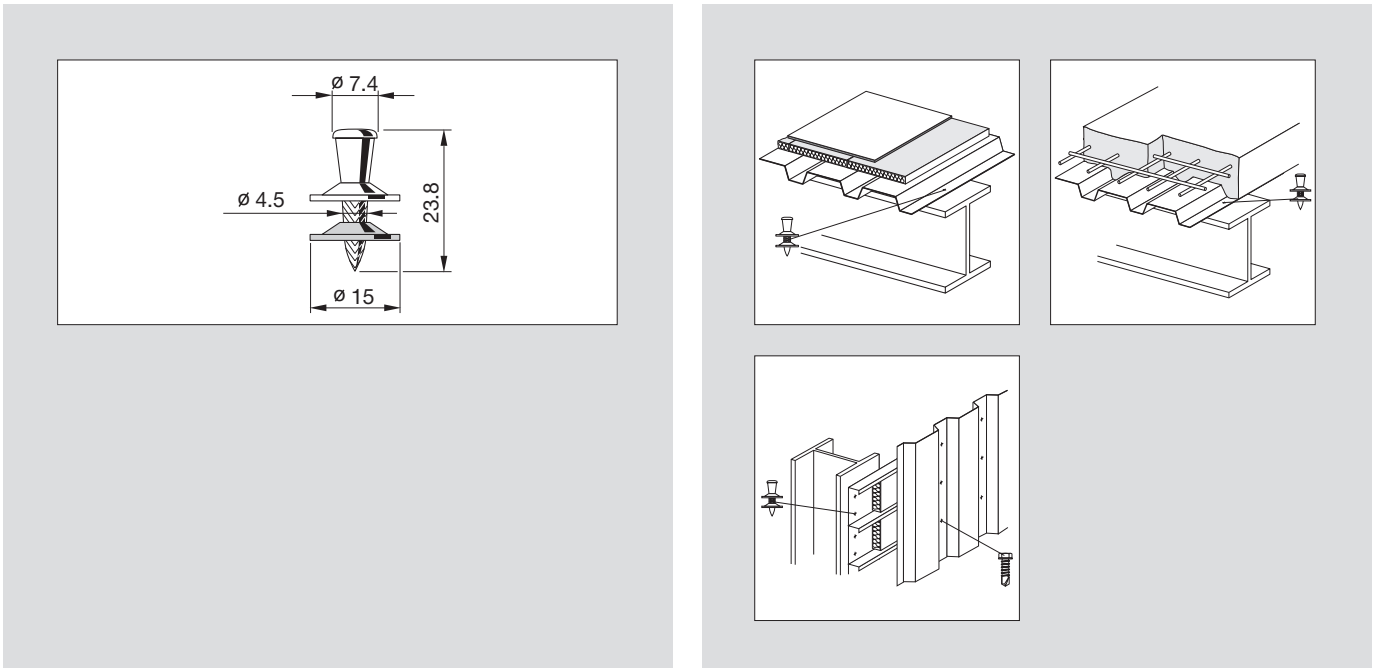
Content

14.1	Page
Siding and decking nail X-ENP	133
X-ENP Nail	133
X-ENP Nail, collated for DX 76 MX/DX 76 PTR	133
X-ENP Nail, collated for DX 860-ENP	133
14.2	
Sealing cap for ENP SDK2/PDK2	134
14.3	
Setting tool for sealing caps SDK2/PDK2	134
14.4	
Sheet metal nail X-ENP2K	135
X-ENP2K Nail	135
X-ENP2K Nagel, magaziniert	135



14.1 Siding and decking nail X-ENP

High performance nail for fastening metal sheets to thick steel substructures (≥ 6 mm to full steel)



X-ENP Nail

Ordering description	Min. thickness of base material	Shank diameter	Shank length	Washer size	Washer type	Sales Quantity	Item Number
Sheet metal nail X-ENP-19 L15	6 mm	4.5 mm	23.8 mm	15 mm	15 mm Steel dome double washer	100 ST	283506

X-ENP Nail, collated for DX 76 MX/DX 76 PTR

Ordering description	Min. thickness of base material	Shank diameter	Shank length	Washer size	Washer type	Sales Quantity	Item Number
Sheet metal nail X-ENP-19 L15MX	6 mm	4.5 mm	23.8 mm	15 mm	15 mm Steel dome double washer collated	1000 ST	283507

X-ENP Nail, collated for DX 860-ENP

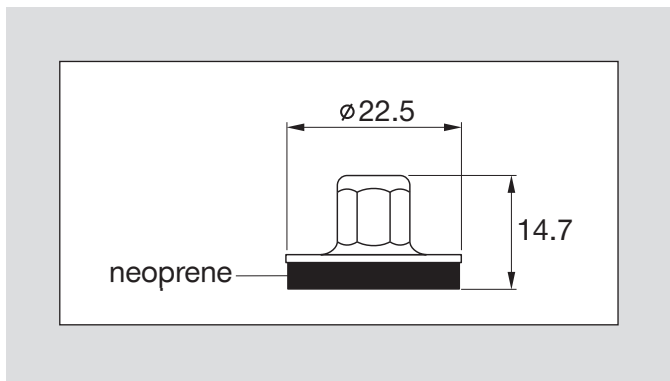
Ordering description	Min. thickness of base material	Shank diameter	Shank length	Washer size	Washer type	Sales Quantity	Item Number
Sheet metal nail X-ENP-19 L15MXR	6 mm	4.5 mm	23.8 mm	15 mm	15 mm Steel dome double washer collated	1000 ST	283508

Hinweis:

- More information see approval ETA-04/0101 (Chapter 16)

14.2 Sealing cap for ENP SDK2/PDK2

Perfect optics of fastening point, watertight sealing as well with elongated hole. Easy usage with setting tool and hammer. Fits for X-ENP-19 L15 (MX)



Ordering description	Material	Washer size	Sales Quantity	Item Number
Sealing cap PDK2	Polyethylen	16 mm	500 ST	52709
Sealing cap SDK2	Stainless steel (DIN 1.4301 ASTM 304)	22.5 mm	100 ST	52708

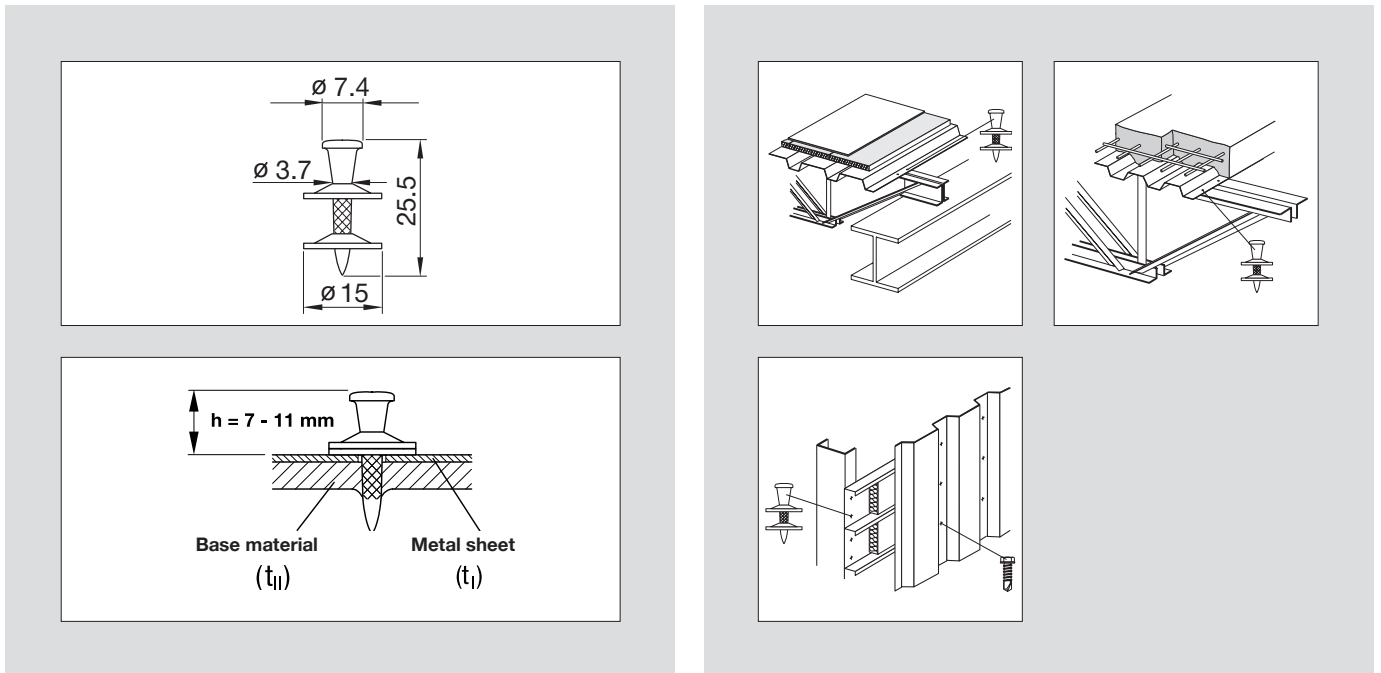
14.3 Setting tool for sealing caps SDK2/PDK2



Ordering description	Sales Quantity	Item Number
Setzwerkzeug PDK2	1 ST	59301
Setzwerkzeug SDK2	1 ST	59300

14.4 Sheet metal nail X-ENP2K

Fastening sheet metal and thin purlins from 3 mm to 6 mm thickness



X-ENP2K Nail

Ordering description	Min. thickness of base material	Shank diameter	Shank length	Washer size	Washer type	Sales Quantity	Item Number
Sheet metal nail X-ENP2K-20 L15	3 mm	3.7 mm	22.5 mm	15 mm	15 mm Steel dome double washer	100 ST	385133

X-ENP2K Nail, collated

Ordering description	Min. thickness of base material	Shank diameter	Shank length	Washer size	Washer type	Sales Quantity	Item Number
Sheet metal nail X-ENP2K-20 L15 MX	3 mm	3.7 mm	25.5 mm	15 mm	15 mm Steel dome double washer	1000 ST	385134