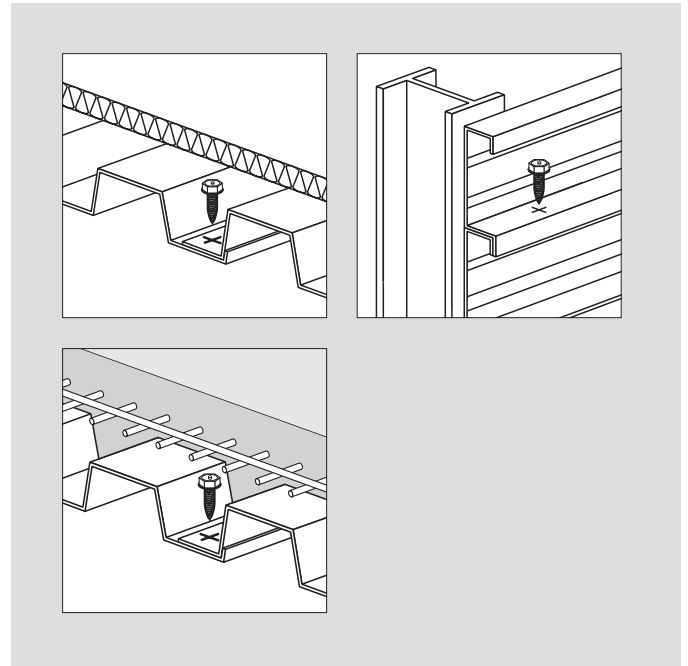
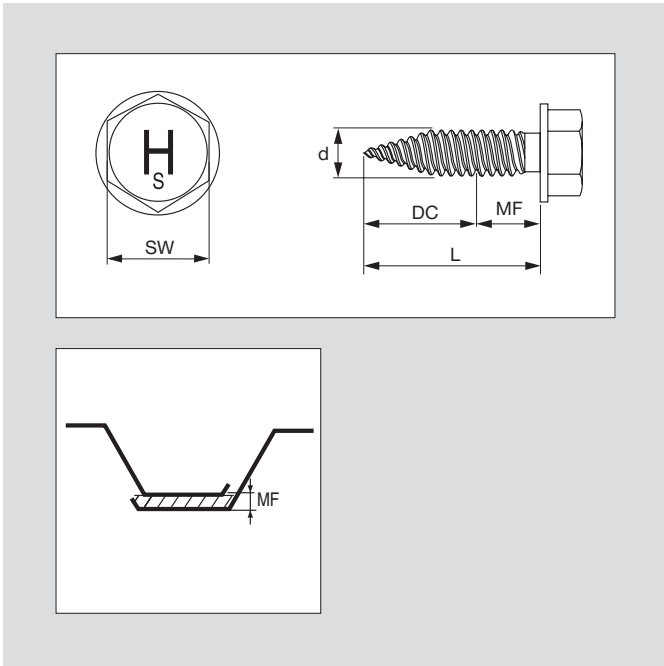


## Content

<b>6.1</b>			Page
6.1.1	Stainless steel overlapping Screw, chipless	S-MS 01 S	53
6.1.2	Stainless steel self-drilling screw	S-MD 01 S	54
6.1.3	Stainless steel self-drilling screw	S-MD 03 S	55
6.1.4	Stainless steel self-drilling screw	S-MD 05 S	56
<b>6.2</b>			
6.2.1	Stainless steel overlapping screw,	S-MS 41 S/51 S	57
6.2.2	Stainless steel self-drilling screw (Ø 16)	S-MD 51 S	58
6.2.3	Stainless steel self-drilling screw (Ø 19)	S-MD 61 S	59
6.2.4	Stainless steel self-drilling screw (Ø 16, 19, 22)	S-MD LS	60
6.2.5	Stainless steel self-drilling screw (Ø 14)	S-MD 43 S	61
6.2.6	Stainless steel self-drilling screw (Ø 16)	S-MD 53 S	62
6.2.7	Stainless steel self-drilling screw (Ø 19)	S-MD 63 S	63
6.2.8	Stainless steel self-drilling screw (Ø 22)	S-MD 73 S	64
6.2.9	Stainless steel self-drilling screw (Ø 16)	S-MD 55 S	65
6.2.10	Stainless steel self-drilling screw (Ø 19)	S-MD 65 S	66
6.2.11	Stainless steel self-drilling screw (Ø 22)	S-MD 75 S	67
<b>6.3</b>			
6.3.1	Stainless steel self-drilling pan head screw	S-MD 01 PS	68
6.3.2	Stainless steel self-drilling pan head screw	S-MD 03 PS	69
6.3.3	Stainless steel self-drilling pan head screw	S-MD 05 PS	70
<b>6.4</b>			
6.4.1	Stainless self-drill pan head screw (Ø 12)	S-MD 31 PS	71
6.4.2	Stainless self-drill pan head screw (Ø 12)	S-MD 33 PS	72
6.4.3	Stainless self-drill pan head screw (Ø 12)	S-MD 35 PS	73
<b>6.5</b>			
	Stainless steel self-drilling screw	S-AD 01 S/SS	74

### 6.1.1 Stainless steel overlapping Screw, chipless S-MS 01 S

The fastest stainless steel chipless overlapping screw



**6**

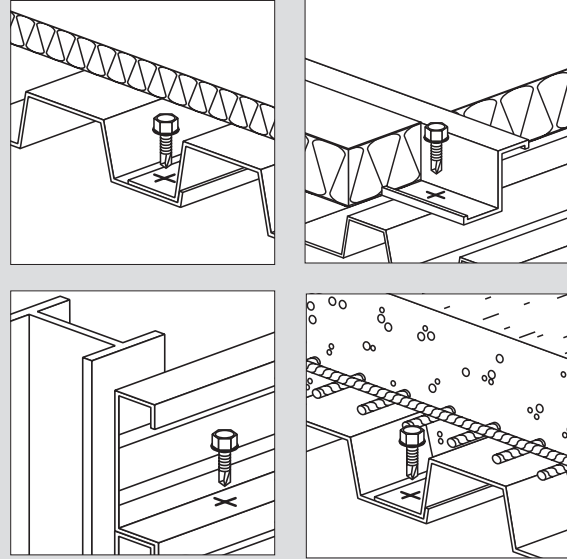
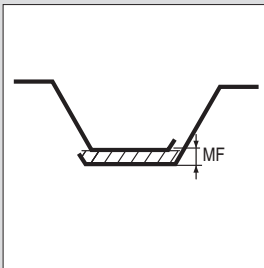
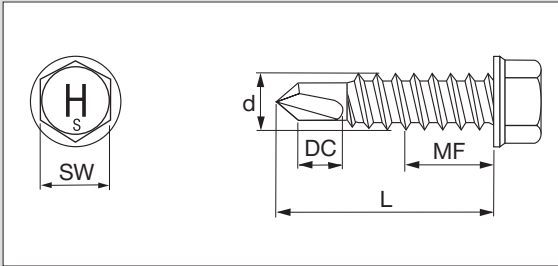
Ordering description	Drilling capacity range (DC)	Thickness fastened range (MF)	Screw diameter (d)	Screw length (L)	Screw drive/recess type	Sales quantity	Item number
Self-drill screw S-MS 01S 4.8x20	2x 0.4 mm - 2x 1.0 mm	0.8 - 4.0 mm	4.8 mm	20 mm	Hexagon 8	1000 pc	2083693

**Reference:**

- More Information see approval Z-14.1-4 and Z-14.1-537 (Chapter 16)

## 6.1.2 Stainless steel self-drilling screw S-MD 01 S

Universal stainless self-drilling screw for a wide range of light inside applications



Ordering description	Drilling capacity range (DC)	Thickness fastened range (MF)	Screw diameter (d)	Screw length (L)	Screw drive/recess type	Sales quantity	Item number
Self-drill screw S-MD01S 4,8x22	1.2 - 2 mm	1.2 - 8 mm	4.8 mm	22 mm	Hexagon 8	500 pc	285608
Self-drill screw S-MD01LS 5,5x25	1.2 - 4 mm	1.2 - 8 mm	5.5 mm	25 mm	Hexagon 8	500 pc	285609

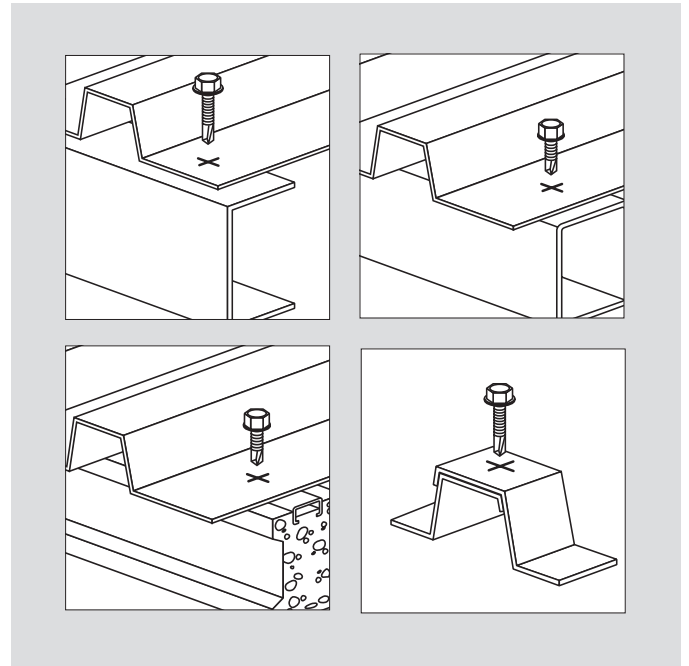
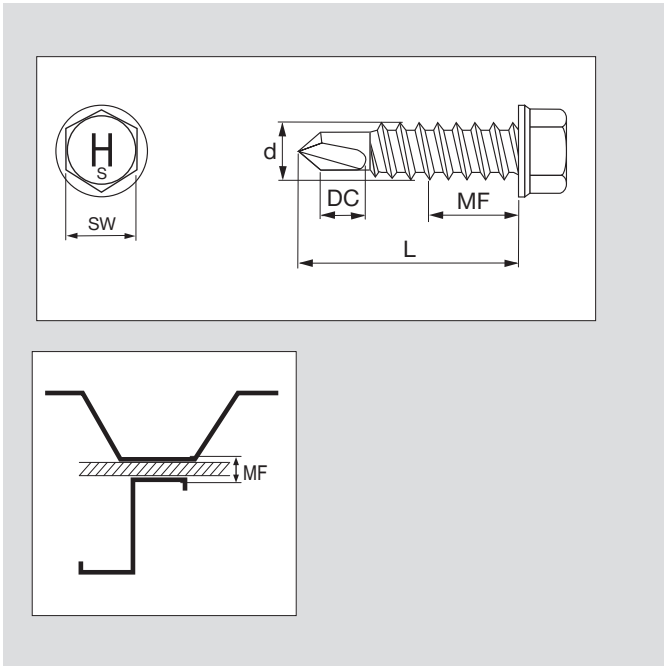
### Reference:

- Technical data see chapter 16.9

### 6.1.3 Stainless steel self-drilling screw S-MD 03 S



Universal stainless self-drilling screw for a wide range of light and medium inside applications



6

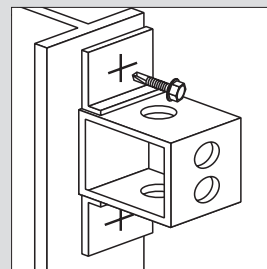
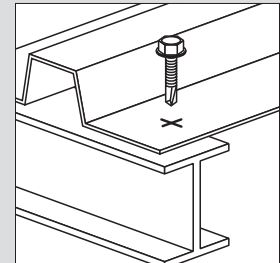
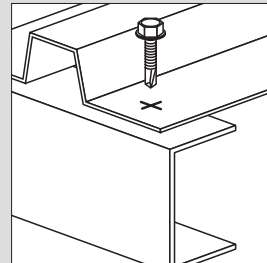
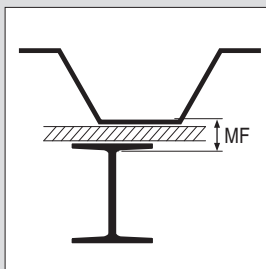
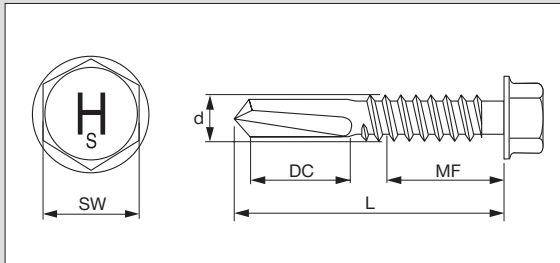
Ordering description	Drilling capacity range (DC)	Thickness fastened range (MF)	Screw diameter (d)	Screw length (L)	Screw drive/recess type	Sales quantity	Item number
Self-drill screw S-MD03S 5,5x25	2.1 - 6 mm	2.1 - 10 mm	5.5 mm	25 mm	Hexagon 8	500 pc	413408
Self-drill screw S-MD03S 5,5x32	2.1 - 6 mm	2.1 - 17 mm	5.5 mm	32 mm	Hexagon 8	250 pc	413409
Self-drill screw S-MD03S 5,5x38	2.1 - 6 mm	2.1 - 23 mm	5.5 mm	38 mm	Hexagon 8	250 pc	413410
Self-drill screw S-MD03S 5,5x50	2.1 - 6 mm	2.1 - 35 mm	5.5 mm	50 mm	Hexagon 8	250 pc	413411
Self-drill screw S-MD03S 5,5x63	2.1 - 6 mm	2.1 - 48 mm	5.5 mm	63 mm	Hexagon 8	100 pc	413412
Self-drill screw S-MD03S 6,3x25	2.1 - 6 mm	2.1 - 10 mm	6.3 mm	25 mm	Hexagon 8	500 pc	413413
Self-drill screw S-MD03S 6,3x32	2.1 - 6 mm	2.1 - 17 mm	6.3 mm	32 mm	Hexagon 8	500 pc	413414

**Reference:**

- Technical data see chapter 16.9

## 6.1.4 Stainless steel self-drilling screw S-MD 05 S

Universal stainless self-drilling screw for a wide range of medium and heavy inside applications



Ordering description	Drilling capacity range (DC)	Thickness fastened range (MF)	Screw diameter (d)	Screw length (L)	Screw drive/recess type	Sales quantity	Item number
Self-drill screw S-MD05S 5,5x40	4.6 - 12 mm	4.6 - 14 mm	5.5 mm	40 mm	Hexagon 8	250 pc	290368
Self-drill screw S-MD05S 5,5x52	4.6 - 12 mm	4.6 - 26 mm	5.5 mm	52 mm	Hexagon 8	250 pc	290369
Self-drill screw S-MD05S 5,5x65	4.6 - 12 mm	4.6 - 39 mm	5.5 mm	65 mm	Hexagon 8	100 pc	290370
Self-drill screw S-MD05S 5,5x82	4.6 - 12 mm	4.6 - 56 mm	5.5 mm	82 mm	Hexagon 8	100 pc	290371
Self-drill screw S-MD05S 5,5x102	4.6 - 12 mm	4.6 - 76 mm	5.5 mm	102 mm	Hexagon 8	100 pc	290385

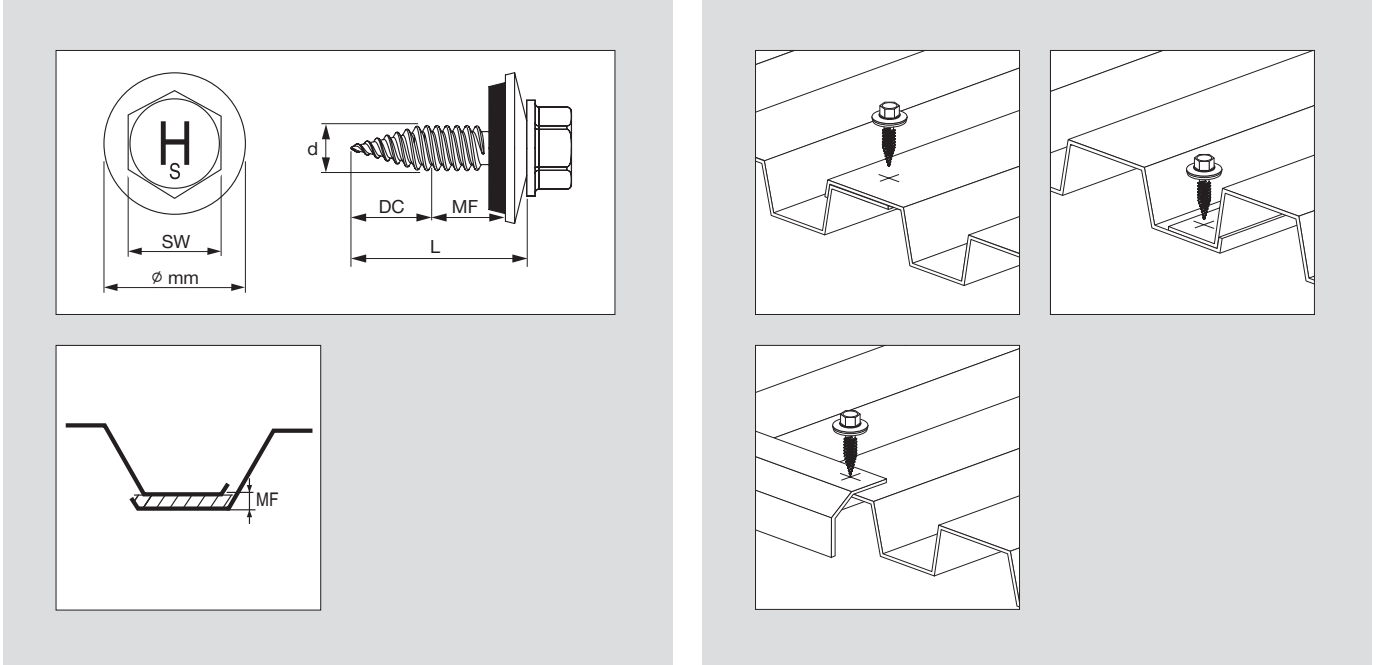
### Reference:

- Technical data see chapter 16.9

**6.2.1  
Stainless steel overlapping screw,  
chipless (Ø 14, 16)  
S-MS 41 S/51 S**



The fastest chipless overlapping screw with 14 and 16 mm sealing washer



Ordering description	Material Scaling washer	Drilling capacity range (DC)	Thickness fastened range (MF)	Screw diameter (d)	Screw length (L)	Washer size	EPDM thickness	Screw drive/recess type	Sales quantity	Item number
Self-drill screw S-MS 41S 4.8x20	A2	2 x 0.4 mm - 2 x 1.0 mm	0.8 - 4.0 mm	4.8 mm	20 mm	14 mm	2 mm	Hexagon 8	500 pc	2083699
Self-drill screw S-MS 51S 4.8x20	A2	2 x 0.4 mm - 2 x 1.0 mm	0.8 - 4.0 mm	4.8 mm	20 mm	16 mm	2 mm	Hexagon 8	500 pc	2083980
Self-drill screw S-MS 41S-A 4.8x20	Alu	2 x 0.4 mm - 2 x 1.0 mm	0.8 - 4.0 mm	4.8 mm	20 mm	14 mm	2 mm	Hexagon 8	500 pc	2083981
Self-drill screw S-MS 51S-A 4.8x20	Alu	2 x 0.4 mm - 2 x 1.0 mm	0.8 - 4.0 mm	4.8 mm	20 mm	16 mm	2 mm	Hexagon 8	500 pc	2083982

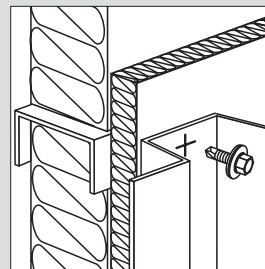
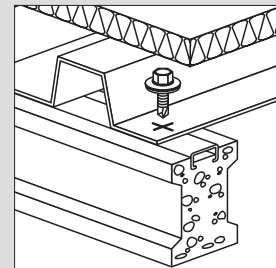
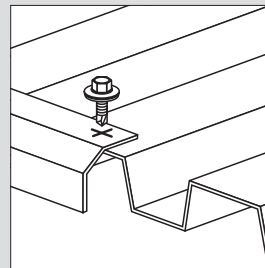
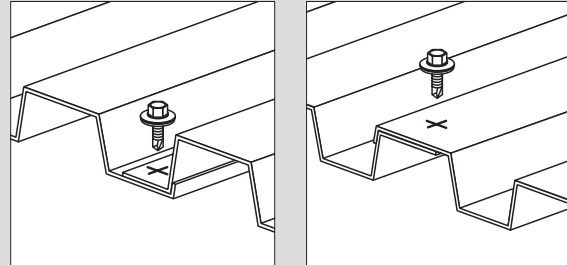
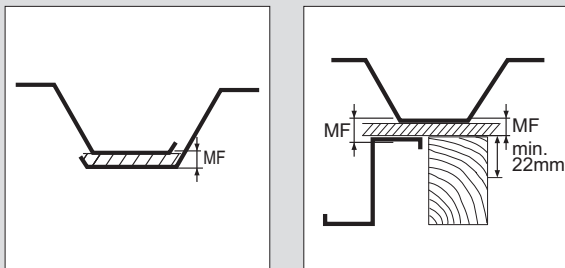
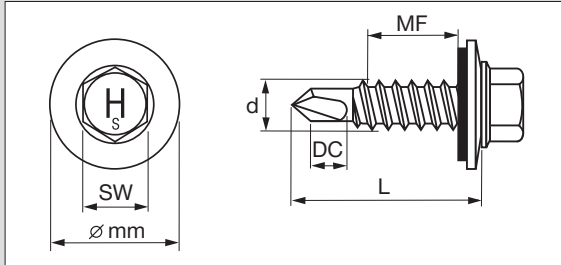
**Reference:**

- The screws can be processed without a depth gauge and without torque limitation. They are deliberately and systematically overtorqued
- More Information see approval Z-14.1-4 and Z-14.1-537 (Chapter 16)

## 6.2.2 Stainless steel self-drilling screw (Ø 16) S-MD 51 S



Stainless steel self-drilling screw with 16 mm sealing washer for light outside applications



Ordering description	Minimum thickness of base material	Drilling capacity range (DC)	Thickness fastened range (MF) steel	Screw diameter (d)	Screw length (L)	Washer size	EPDM thickness	Screw drive/recess type	Sales quantity	Item number
Self-drill screw S-MD51S 4,8X22		1.2 - 2 mm	1.2 - 6 mm	4.8 mm	22 mm	16 mm	2 mm	Hexagon 8	250 pc	375228
Self-drill screw S-MD51S 4,8X25		1.2 - 2 mm	1.2 - 9 mm	4.8 mm	25 mm	16 mm	2 mm	Hexagon 8	500 pc	375229
Self-drill screw S-MD51S 5,5x25		1.2 - 3 mm	1.2 - 8 mm	5.5 mm	25 mm	16 mm	2 mm	Hexagon 8	500 pc	378257
Self-drill screw S-MD51S 5,5X32		1.2 - 3 mm	1.2 - 15 mm	5.5 mm	32 mm	16 mm	2 mm	Hexagon 8	250 pc	375230
Self-drill screw S-MD51S 5,5X38	wood, 22 mm	1.2 - 3 mm	1.2 - 21 mm	5.5 mm	38 mm	16 mm	2 mm	Hexagon 8	250 pc	375231
Self-drill screw S-MD51S 5,5X50	wood, 22 mm	1.2 - 3 mm	1.2 - 33 mm	5.5 mm	50 mm	16 mm	2 mm	Hexagon 8	250 pc	375232

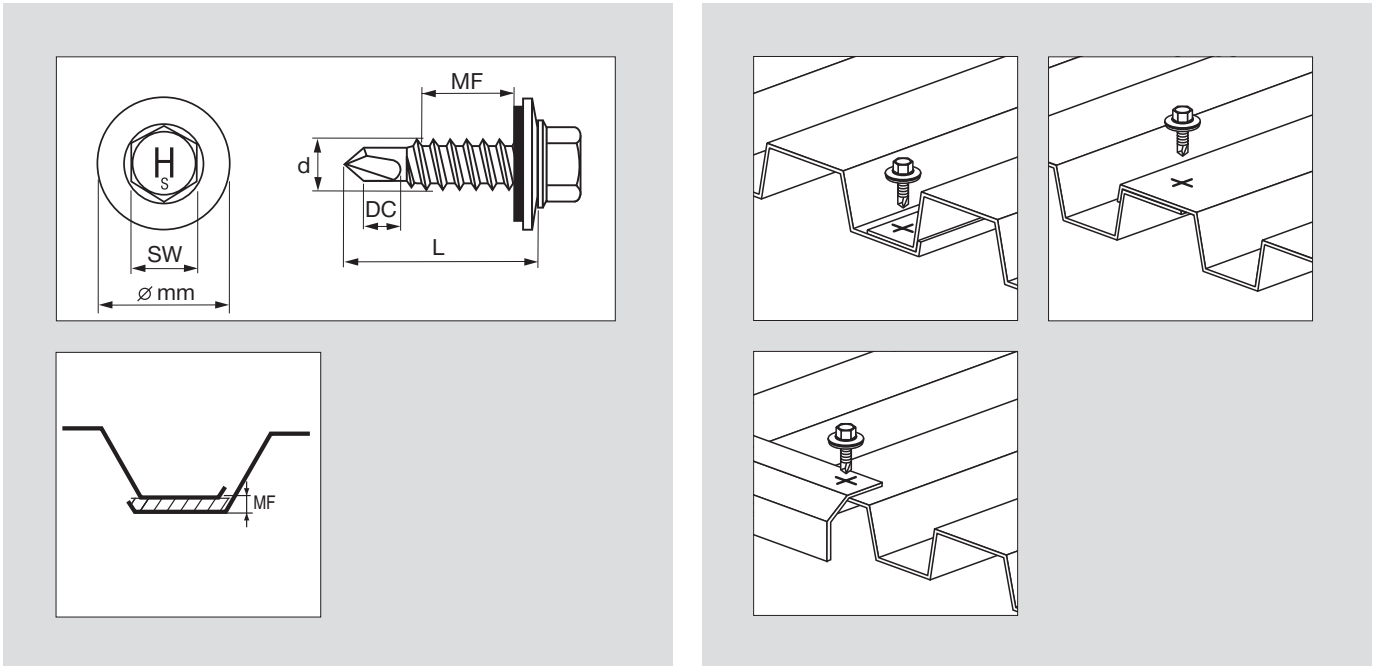
### Reference:

- More Information see approval ETA-10/0182 (Chapter 16)



### 6.2.3 Stainless steel self-drilling screw (Ø19) S-MD 61 S

Stainless steel self-drilling screw with 19 mm sealing washer for light outside applications



6

Ordering description	Drilling capacity range (DC)	Befestigungshöhe (MF)	Screw diameter (d)	Screw length (L)	Washer size	EPDM thickness	Screw drive/recess type	Sales quantity	Item number
Self-drill screw S-MD61S 4,8x22	1.2 - 2 mm	1.2 - 6 mm	4.8 mm	22 mm	19 mm	2 mm	Hexagon 8	500 pc	283052

**Reference:**

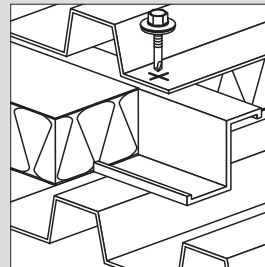
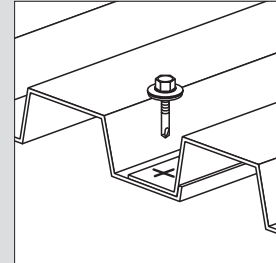
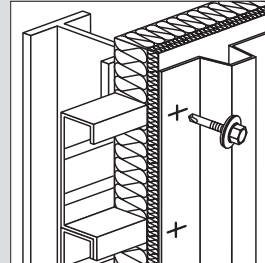
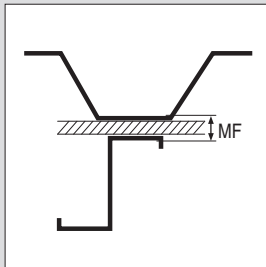
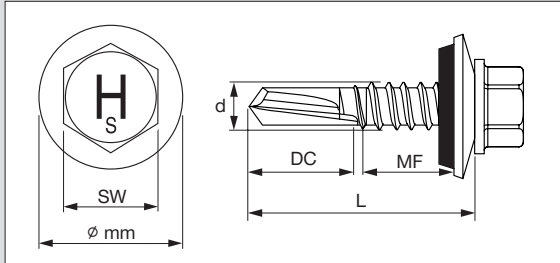
- More Information see approval ETA-10/0182 (Chapter 16)



## 6.2.4 Stainless steel self-drilling screw (Ø16, 19, 22) S-MD LS



Stainless steel self-drilling screw with 16, 19 or 22 mm sealing washer for light outside applications



Ordering description	Drilling capacity range (DC)	Thickness fastened range (MF)	Screw diameter (d)	Screw length (L)	Washer size	EPDM thickness	Screw drive/recess type	Sales quantity	Item number
Self-drill screw S-MD51LS 5,5x25	1.0 - 4 mm	1.0 - 5 mm	5.5 mm	25 mm	16 mm	2 mm	Hexagon 8	500 pc	378258
Self-drill screw S-MD61LS 5,5x25	1.0 - 4 mm	1.0 - 5 mm	5.5 mm	25 mm	19 mm	2 mm	Hexagon 8	500 pc	283058
Self-drill screw S-MD71LS 5,5x25	1.0 - 4 mm	1.0 - 5 mm	5.5 mm	25 mm	22 mm	2 mm	Hexagon 8	500 pc	285596

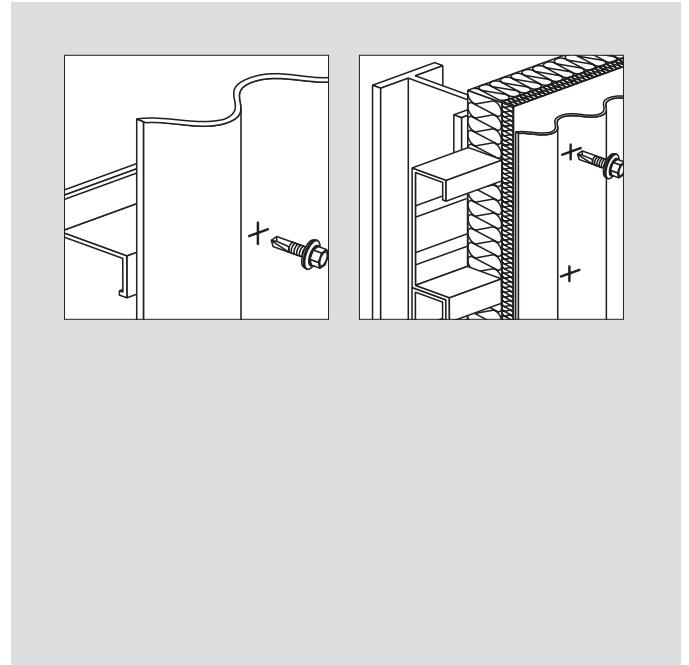
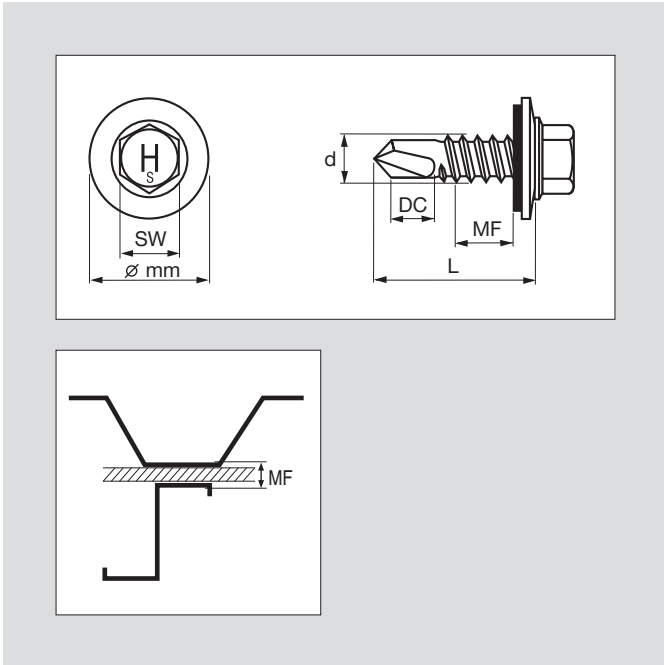
### Reference:

- More Information see approval ETA-10/0182 (Chapter 16)

**6.2.5  
Stainless steel self-drilling screw (Ø14)  
S-MD 43 S**



Stainless steel self-drilling screw with 14 mm sealing washer for light and medium outside applications



**6**

Ordering description	Drilling capacity range (DC)	Thickness fastened range (MF)	Screw diameter (d)	Screw length (L)	Washer size	EPDM thickness	Screw drive/recess type	Sales quantity	Item number
Self-drill screw S-MD43S 5,5x25	2.1 - 6 mm	2.1 - 7 mm	5.5 mm	25 mm	14 mm	2 mm	Hexagon 8	500 pc	414297
Self-drill screw S-MD43S 5,5x32	2.1 - 6 mm	2.1 - 14 mm	5.5 mm	32 mm	14 mm	2 mm	Hexagon 8	500 pc	414300
Self-drill screw S-MD43S 5,5x38	2.1 - 6 mm	2.1 - 20 mm	5.5 mm	38 mm	14 mm	2 mm	Hexagon 8	250 pc	414302
Self-drill screw S-MD43S 5,5x50	2.1 - 6 mm	2.1 - 32 mm	5.5 mm	50 mm	14 mm	2 mm	Hexagon 8	250 pc	414304
Self-drill screw S-MD43S 5,5x63	2.1 - 6 mm	2.1 - 45 mm	5.5 mm	63 mm	14 mm	2 mm	Hexagon 8	100 pc	414307

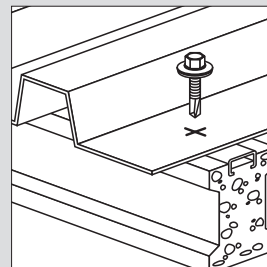
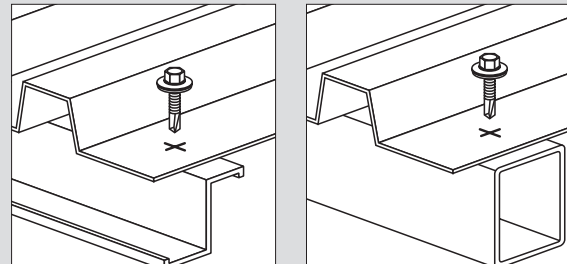
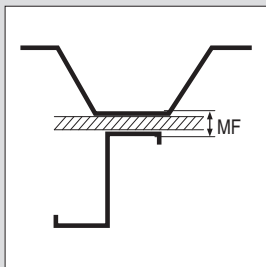
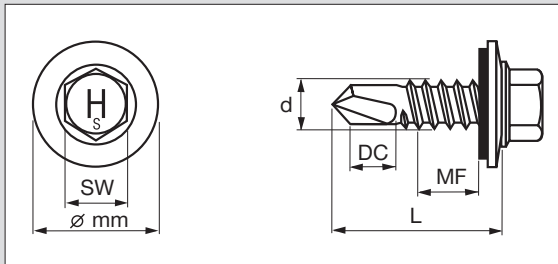
**Reference:**

- More Information see approval ETA-10/0182 (Chapter 16)

## 6.2.6 Stainless steel self-drilling screw (Ø16) S-MD 53 S



Stainless steel self-drilling screw with 16 mm sealing washer for light and medium outside applications



Ordering description	Drilling capacity range (DC)	Thickness fastened range (MF)	Screw diameter (d)	Screw length (L)	Washer size	EPDM thickness	Screw drive/recess type	Sales quantity	Item number
Self-drill screw S-MD53S 5,5x25	2.1 - 6 mm	2.1 - 7 mm	5.5 mm	25 mm	16 mm	2 mm	Hexagon 8	500 pc	413434
Self-drill screw S-MD53S 5,5x32	2.1 - 6 mm	2.1 - 14 mm	5.5 mm	50 mm	16 mm	2 mm	Hexagon 8	250 pc	413435
Self-drill screw S-MD53S 5,5x38	2.1 - 6 mm	2.1 - 20 mm	5.5 mm	38 mm	16 mm	2 mm	Hexagon 8	250 pc	413436
Self-drill screw S-MD53S 5,5x50	2.1 - 6 mm	2.1 - 32 mm	5.5 mm	63 mm	16 mm	2 mm	Hexagon 8	100 pc	413437
Self-drill screw S-MD53S 5,5x63	2.1 - 6 mm	2.1 - 45 mm	5.5 mm	32 mm	16 mm	2 mm	Hexagon 8	250 pc	413438
Self-drill screw S-MD53S 6,3x25	2.1 - 6 mm	2.1 - 7 mm	6.3 mm	25 mm	16 mm	2 mm	Hexagon 8	250 pc	413439

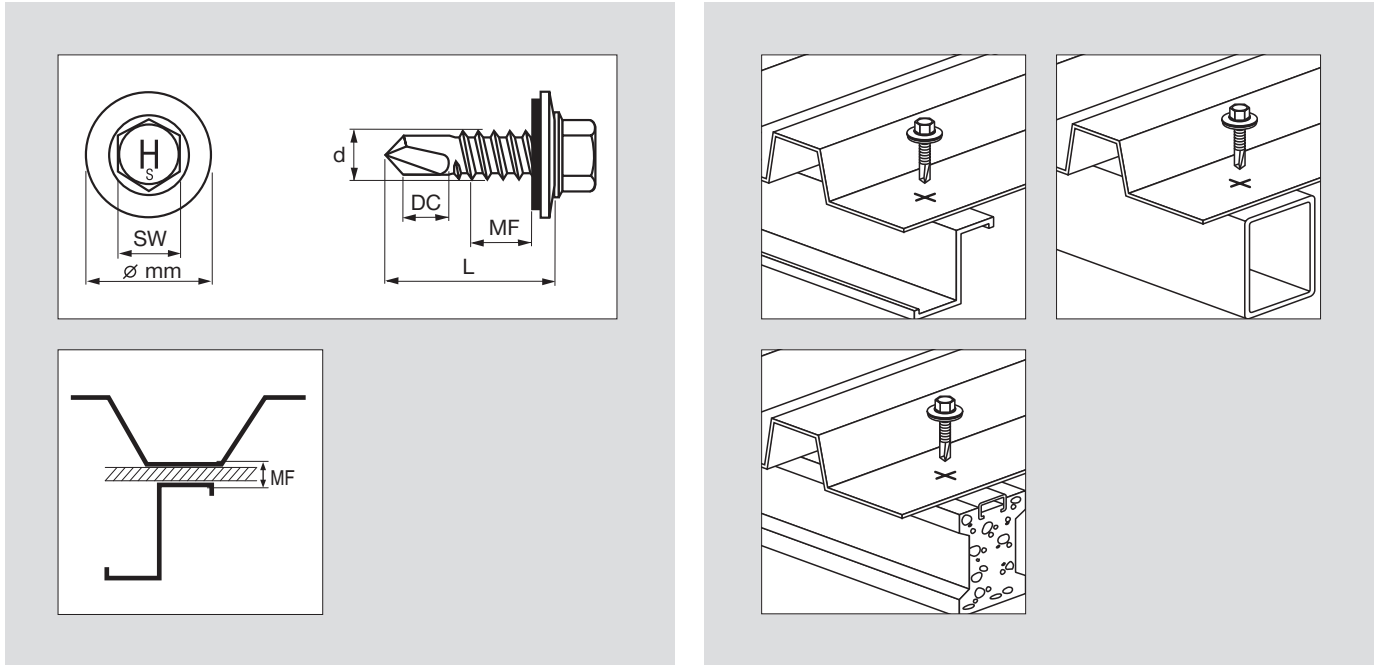
### Reference:

- More Information see approval ETA-10/0182 (Chapter 16)

### 6.2.7 Stainless steel self-drilling screw (Ø19) S-MD 63 S



Stainless steel self-drilling screw with 19 mm sealing washer for light and medium outside applications



6

Ordering description	Drilling capacity range (DC)	Thickness fastened range (MF)	Screw diameter (d)	Screw length (L)	Washer size	EPDM thickness	Screw drive/recess type	Sales quantity	Item number
Self-drill screw S-MD63S 5,5x25	2.1 - 6 mm	2.1 - 7 mm	5.5 mm	25 mm	19 mm	2 mm	Hexagon 8	500 pc	413450
Self-drill screw S-MD63S 5,5x32	2.1 - 6 mm	2.1 - 14 mm	5.5 mm	32 mm	19 mm	2 mm	Hexagon 8	250 pc	413451
Self-drill screw S-MD63S 5,5x38	2.1 - 6 mm	2.1 - 20 mm	5.5 mm	38 mm	19 mm	2 mm	Hexagon 8	250 pc	413452
Self-drill screw S-MD63S 5,5x50	2.1 - 6 mm	2.1 - 32 mm	5.5 mm	50 mm	19 mm	2 mm	Hexagon 8	250 pc	413453
Self-drill screw S-MD63S 5,5x63	2.1 - 6 mm	2.1 - 45 mm	5.5 mm	63 mm	19 mm	2 mm	Hexagon 8	100 pc	413454
Self-drill screw S-MD63S 6,3x25	2.1 - 6 mm	2.1 - 7 mm	6.3 mm	25 mm	19 mm	2 mm	Hexagon 8	500 pc	413455

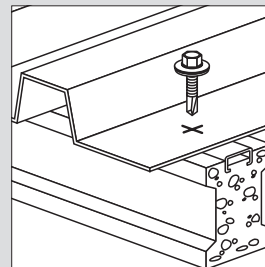
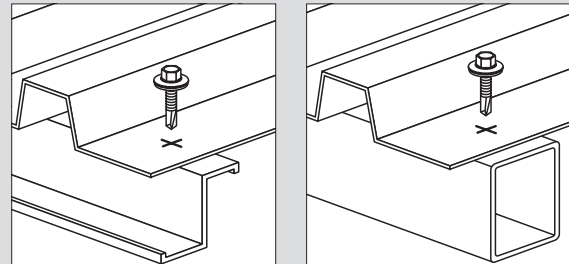
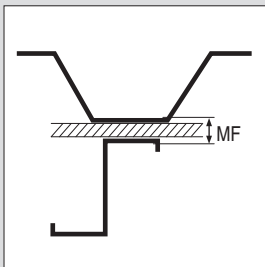
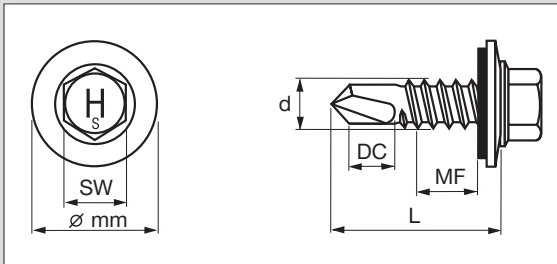
**Reference:**

- More Information see approval ETA-10/0182 (Chapter 16)

## 6.2.8 Stainless steel self-drilling screw (Ø22) S-MD 73 S



Stainless steel self-drilling screw with 22 mm sealing washer for light and medium outside applications



6

Ordering description	Drilling capacity range (DC)	Thickness fastened range (MF)	Screw diameter (d)	Screw length (L)	Washer size	EPDM thickness	Screw drive/recess type	Sales quantity	Item number
Self-drill screw S-MD73S 5,5x25	2.1 - 6 mm	2.1 - 7 mm	5.5 mm	25 mm	22 mm	2 mm	Hexagon 8	500 pc	413456
Self-drill screw S-MD73S 5,5x32	2.1 - 6 mm	2.1 - 14 mm	5.5 mm	32 mm	22 mm	2 mm	Hexagon 8	250 pc	413457
Self-drill screw S-MD73S 5,5x38	2.1 - 6 mm	2.1 - 20 mm	5.5 mm	38 mm	22 mm	2 mm	Hexagon 8	250 pc	413458
Self-drill screw S-MD73S 5,5x50	2.1 - 6 mm	2.1 - 32 mm	5.5 mm	50 mm	22 mm	2 mm	Hexagon 8	250 pc	413459
Self-drill screw S-MD73S 5,5x63	2.1 - 6 mm	2.1 - 45 mm	5.5 mm	63 mm	22 mm	2 mm	Hexagon 8	100 pc	413460
Self-drill screw S-MD73S 6,3x25	2.1 - 6 mm	2.1 - 7 mm	6.3 mm	25 mm	22 mm	2 mm	Hexagon 8	500 pc	413461

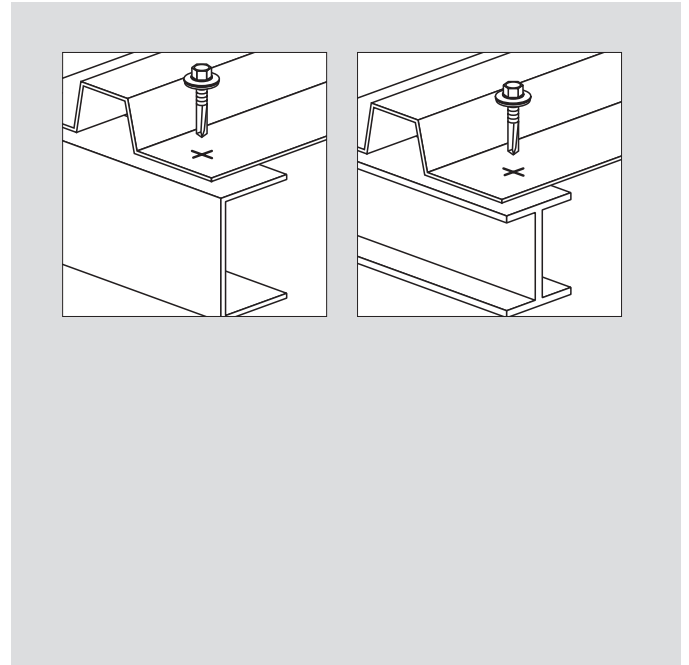
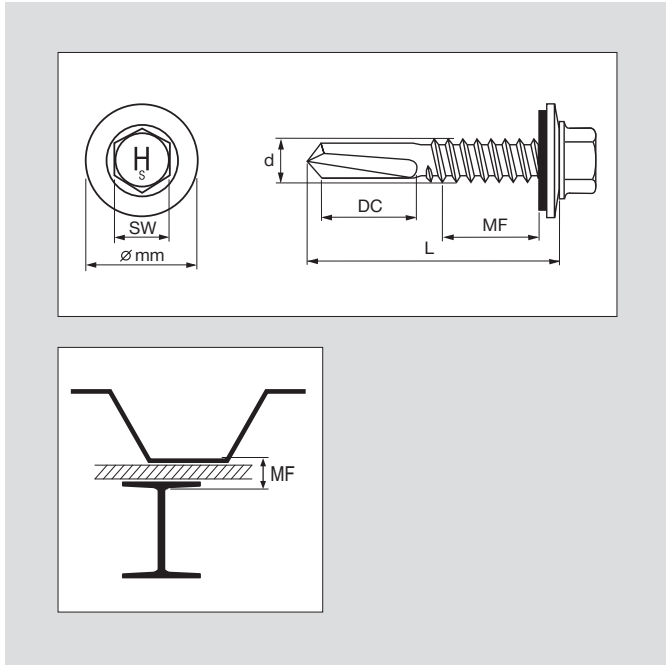
### Reference:

- More Information see approval ETA-10/0182 (Chapter 16)

## 6.2.9 Stainless steel self-drilling screw (Ø16) S-MD 55 S



Stainless steel self-drilling screw with 16 mm sealing washer for medium and heavy outside applications



6

Ordering description	Drilling capacity range (DC)	Thickness fastened range (MF)	Screw diameter (d)	Screw length (L)	Washer size	EPDM thickness	Screw drive/recess type	Sales quantity	Item number
Self-drill screw S-MD55S 5,5x40	4.6 - 12 mm	4.6 - 11 mm	5.5 mm	40 mm	16 mm	2 mm	Hexagon 8	250 pc	290674
Self-drill screw S-MD55S 5,5x52	4.6 - 12 mm	4.6 - 23 mm	5.5 mm	52 mm	16 mm	2 mm	Hexagon 8	250 pc	290675
Self-drill screw S-MD55S 5,5x65	4.6 - 12 mm	4.6 - 36 mm	5.5 mm	65 mm	16 mm	2 mm	Hexagon 8	100 pc	290676
Self-drill screw S-MD55S 5,5x82	4.6 - 12 mm	4.6 - 53 mm	5.5 mm	82 mm	16 mm	2 mm	Hexagon 8	100 pc	290677
Self-drill screw S-MD55S 5,5x102	4.6 - 12 mm	4.6 - 73 mm	5.5 mm	102 mm	16 mm	2 mm	Hexagon 8	100 pc	290678

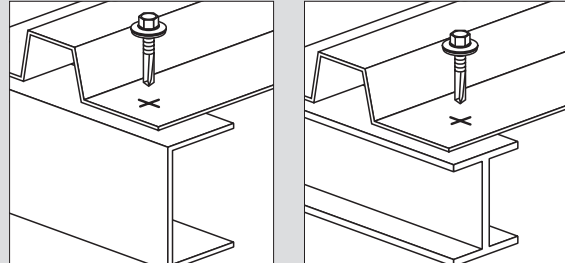
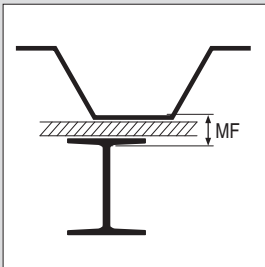
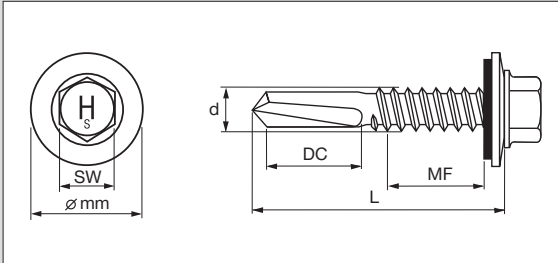
**Reference:**

- More Information see approval ETA-10/0182 (Chapter 16)

## 6.2.10 Stainless steel self-drilling screw (Ø19) S-MD 65 S



Stainless steel self-drilling screw with 19 mm sealing washer for medium and heavy outside applications



6

Ordering description	Drilling capacity range (DC)	Thickness fastened range (MF)	Screw diameter (d)	Screw length (L)	Washer size	EPDM thickness	Screw drive/recess type	Sales quantity	Item number
Self-drill screw S-MD65S 5,5x40	4.6 - 12 mm	4.6 - 11 mm	5.5 mm	40 mm	19 mm	8 mm	Hexagon 8	250 pc	290679
Self-drill screw S-MD65S 5,5x52	4.6 - 12 mm	4.6 - 23 mm	5.5 mm	52 mm	19 mm	8 mm	Hexagon 8	250 pc	290684
Self-drill screw S-MD65S 5,5x65	4.6 - 12 mm	4.6 - 36 mm	5.5 mm	65 mm	19 mm	8 mm	Hexagon 8	100 pc	290685
Self-drill screw S-MD65S 5,5x82	4.6 - 12 mm	4.6 - 53 mm	5.5 mm	82 mm	19 mm	8 mm	Hexagon 8	100 pc	290686
Self-drill screw S-MD65S 5,5x102	4.6 - 12 mm	4.6 - 73 mm	5.5 mm	102 mm	19 mm	8 mm	Hexagon 8	100 pc	290687

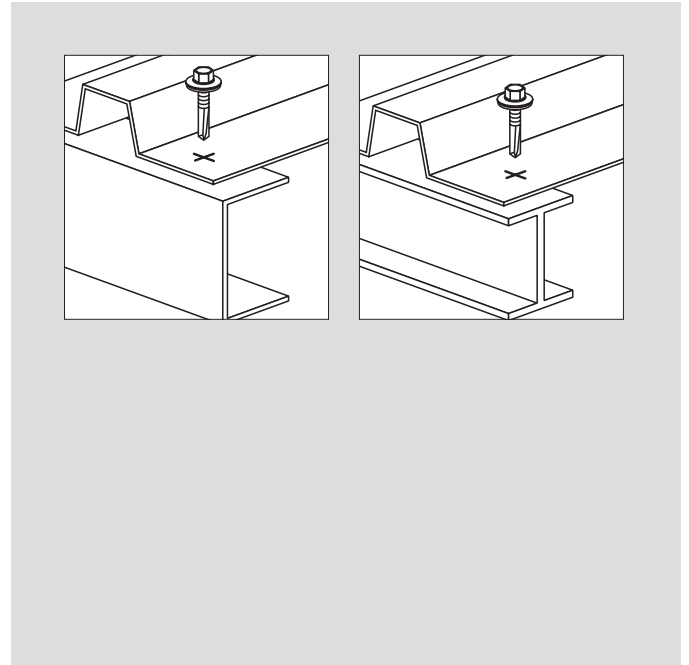
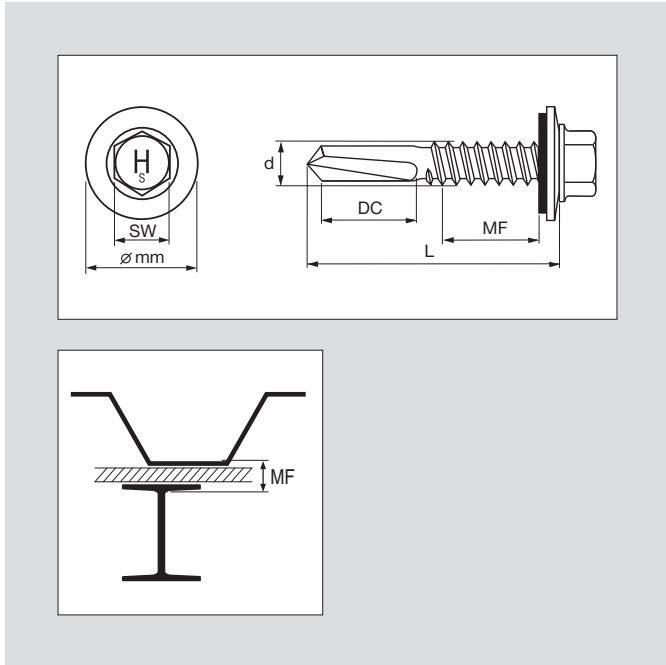
### Reference:

- More Information see approval ETA-10/0182 (Chapter 16)

**6.2.11**  
**Stainless steel self-drilling screw (Ø22)**  
**S-MD 75 S**



Stainless steel self-drilling screw with 22 mm sealing washer for medium and heavy outside applications



6

Ordering description	Drilling capacity range (DC)	Thickness fastened range (MF)	Screw diameter (d)	Screw length (L)	Washer size	EPDM thickness	Screw drive/recess type	Sales quantity	Item number
Self-drill screw S-MD75S 5,5x40	4.6 - 12 mm	4.6 - 11 mm	5.5 mm	40 mm	22 mm	2 mm	Hexagon 8	250 pc	290688
Self-drill screw S-MD75S 5,5x52	4.6 - 12 mm	4.6 - 23 mm	5.5 mm	52 mm	22 mm	2 mm	Hexagon 8	250 pc	290689
Self-drill screw S-MD75S 5,5x65	4.6 - 12 mm	4.6 - 36 mm	5.5 mm	65 mm	22 mm	2 mm	Hexagon 8	100 pc	290690
Self-drill screw S-MD75S 5,5x82	4.6 - 12 mm	4.6 - 53 mm	5.5 mm	82 mm	22 mm	2 mm	Hexagon 8	100 pc	290691
Self-drill screw S-MD75S 5,5x102	4.6 - 12 mm	4.6 - 73 mm	5.5 mm	102 mm	22 mm	2 mm	Hexagon 8	100 pc	290692

**Reference:**

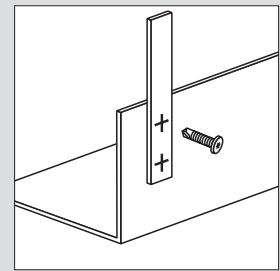
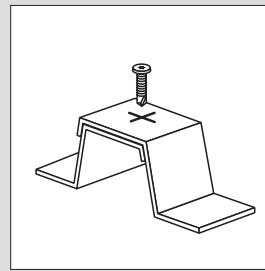
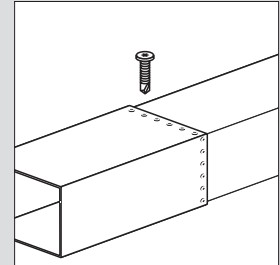
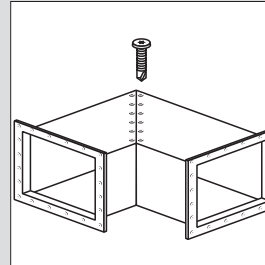
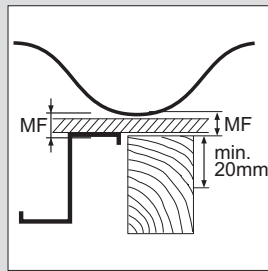
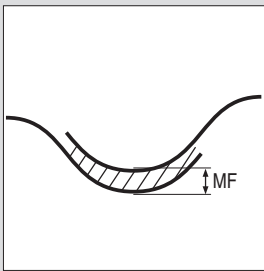
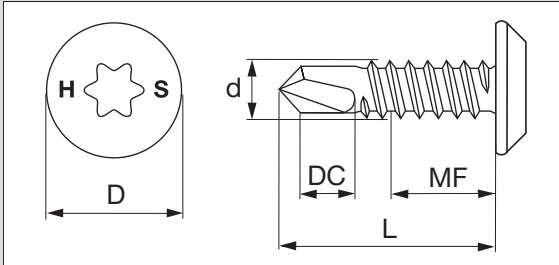
- More Information see approval ETA-10/0182 (Chapter 16)



## 6.3.1

## Stainless steel self-drilling pan head screw S-MD 01 PS

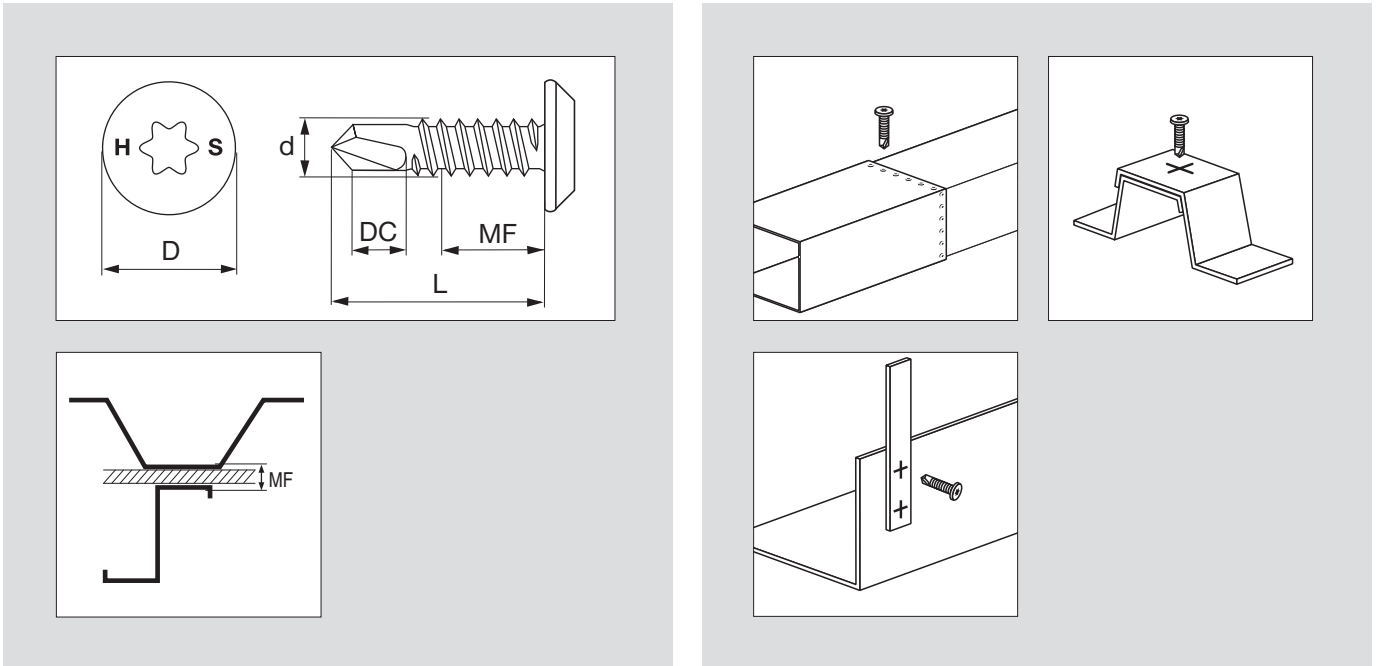
Universal stainless self-drilling screw for a wide range of light inside applications



Ordering description	Minimum thickness of base material	Drilling capacity range (DC)	Thickness fastened range (MF) steel	Screw diameter (d)	Screw length (L)	Screw head diameter	Screw drive/recess type	Sales quantity	Item number
Self-drill screw S-MD01PS 4,8x19		1 - 2.75 mm	1 - 5 mm	4.8 mm	19 mm	12 mm	TX 25	500 pc	202432
Self-drill screw S-MD01PS 4,8x38	wood, 20 mm	1 - 2.75 mm	1 - 25 mm	4.8 mm	38 mm	12 mm	TX 25	250 pc	387249
Self-drill screw S-MD01PS 4,8x50	wood, 20 mm	1 - 2.75 mm	1 - 37 mm	4.8 mm	50 mm	12 mm	TX 25	250 pc	202433
Self-drill screw S-MD01PS 5,5x22		1 - 3 mm	1 - 7 mm	5.5 mm	22 mm	12 mm	TX 25	500 pc	202434
Self-drill screw S-MD01PS 5,5x28		1 - 3 mm	1 - 13 mm	5.5 mm	28 mm	12 mm	TX 25	500 pc	202435
Self-drill screw S-MD01PS 5,5x38		1 - 3 mm	1 - 23 mm	5.5 mm	38 mm	12 mm	TX 25	250 pc	202436
Self-drill screw S-MD01PS 5,5x50		1 - 3 mm	1 - 35 mm	5.5 mm	50 mm	12 mm	TX 25	250 pc	202437

### 6.3.2 Stainless steel self-drilling pan head screw S-MD 03 PS

Universal stainless self-drilling screw for a wide range of light and medium inside applications

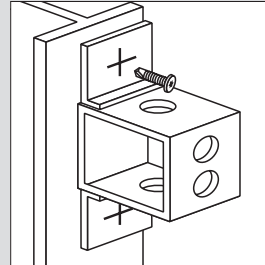
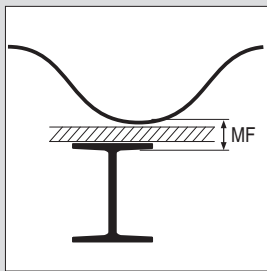
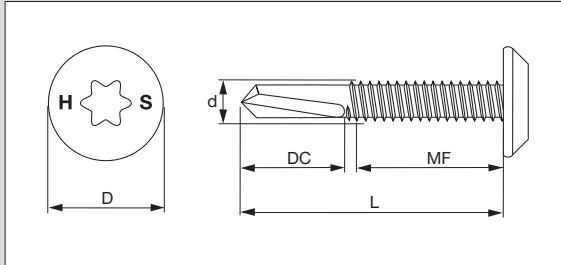


Ordering description	Drilling capacity range (DC)	Thickness fastened range (MF)	Screw diameter (d)	Screw length (L)	Screw head diameter	Screw drive/recess type	Sales quantity	Item number
Self-drill screw S-MD03PS 5.5x22	2.1 - 5.5 mm	2.1 - 7 mm	5.5 mm	22 mm	12 mm	TX 25	500 pc	202438
Self-drill screw S-MD03PS 5,5x28	2.1 - 5.5 mm	2.1 - 13 mm	5.5 mm	28 mm	12 mm	TX 25	500 pc	202439
Self-drill screw S-MD03PS 5,5x38	2.1 - 5.5 mm	2.1 - 23 mm	5.5 mm	38 mm	12 mm	TX 25	250 pc	202440
Self-drill screw S-MD03PS 5,5x50	2.1 - 5.5 mm	2.1 - 35 mm	5.5 mm	50 mm	12 mm	TX 25	250 pc	202441

### 6.3.3

## Stainless steel self-drilling pan head screw S-MD 05 PS

Universal stainless self-drilling screw for a wide range of medium and heavy inside applications



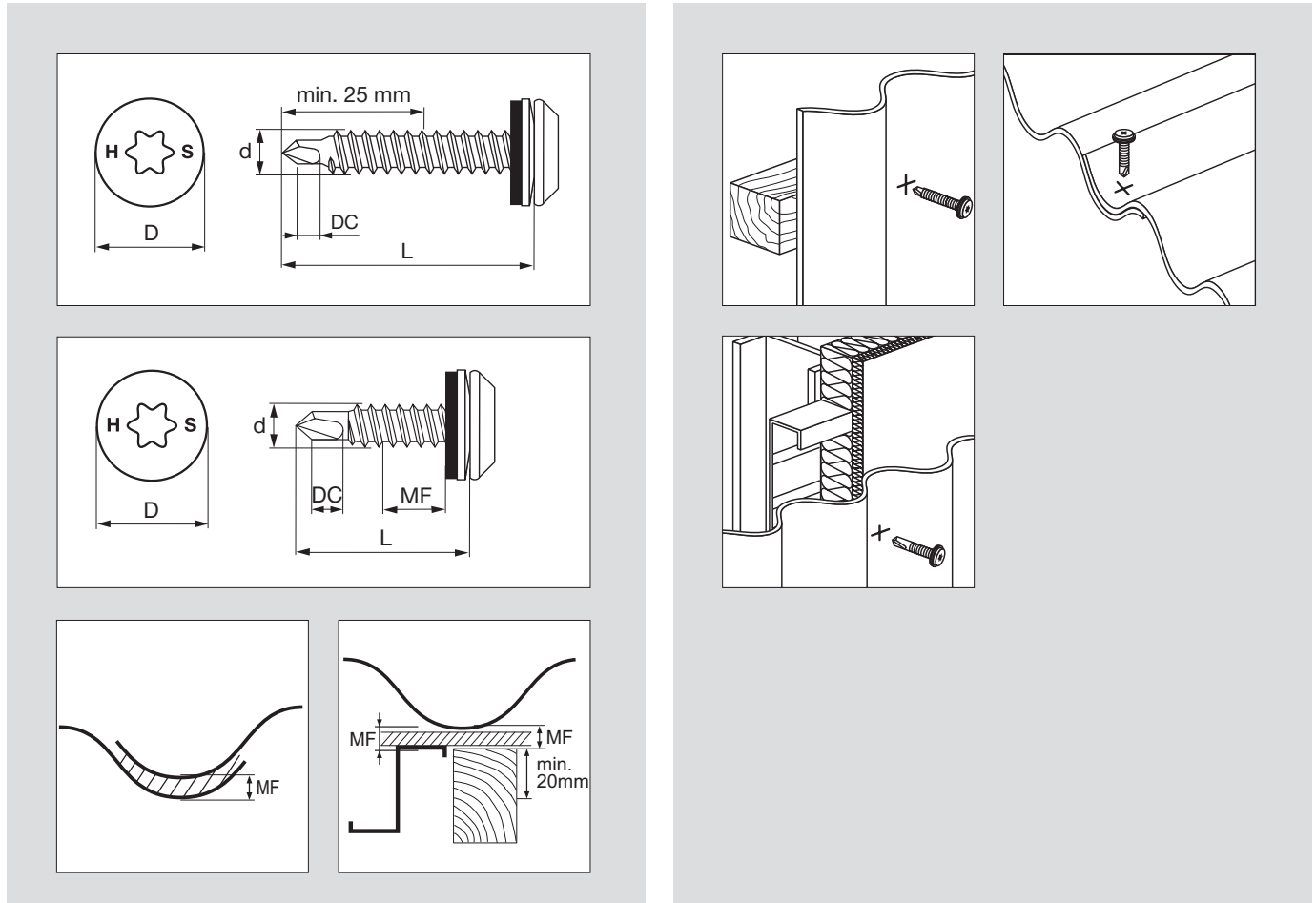
6

Ordering description	Drilling capacity range (DC)	Thickness fastened range (MF)	Screw diameter (d)	Screw length (L)	Screw head diameter	Screw drive/recess type	Sales quantity	Item number
Self-drill screw S-MD05PS 5,5x45	4.6 - 12 mm	4.6 - 14 mm	5.5 mm	45 mm	12 mm	TX 25	250 pc	202442



### 6.4.1 Stainless self-drill pan head screw (Ø 12) S-MD 31 PS

Stainless steel pan head screw with 12 mm sealing washer for light outside application on steel or wood



6

Ordering description	Minimum thickness of base material	Drilling capacity range (DC)	Thickness fastened range (MF) steel	Screw diameter (d)	Screw length (L)	Washer size	EPDM thickness	Screw head diameter	Screw drive/recess type	Sales quantity	Item number
Self-drill screw S-MD31PS 4,8x19		1 - 2.75 mm	1 - 3 mm	4.8 mm	19 mm	12 mm	2 mm	12 mm	TX 25	500 pc	202421
Self-drill screw S-MD31PS 4,8x38	wood, 20 mm	1 - 2.75 mm	1 - 22 mm	4.8 mm	38 mm	12 mm	2 mm	12 mm	TX 25	250 pc	387248
Self-drill screw S-MD31PS 4,8x50	wood, 20 mm	1 - 2.75 mm	1 - 34 mm	4.8 mm	50 mm	12 mm	2 mm	12 mm	TX 25	250 pc	202422
Self-drill screw S-MD31PS 5,5x22		1 - 3 mm	1 - 5 mm	5.5 mm	22 mm	12 mm	2 mm	12 mm	TX 25	500 pc	202423
Self-drill screw S-MD31PS 5,5x28		1 - 3 mm	1 - 11 mm	5.5 mm	28 mm	12 mm	2 mm	12 mm	TX 25	500 pc	202424
Self-drill screw S-MD31PS 5,5x38		1 - 3 mm	1 - 21 mm	5.5 mm	38 mm	12 mm	2 mm	12 mm	TX 25	250 pc	202425
Self-drill screw S-MD31PS 5,5x50		1 - 3 mm	1 - 33 mm	5.5 mm	50 mm	12 mm	2 mm	12 mm	TX 25	250 pc	202426

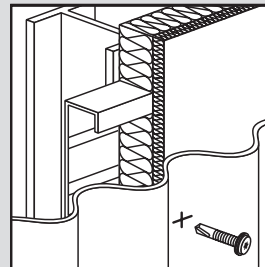
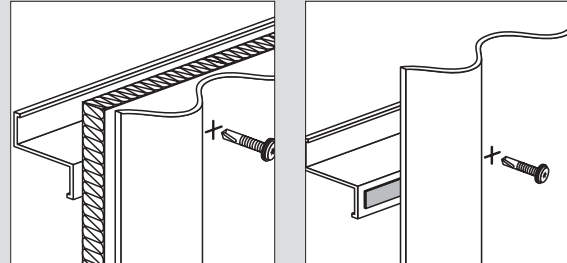
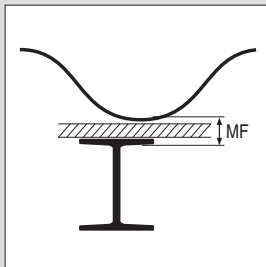
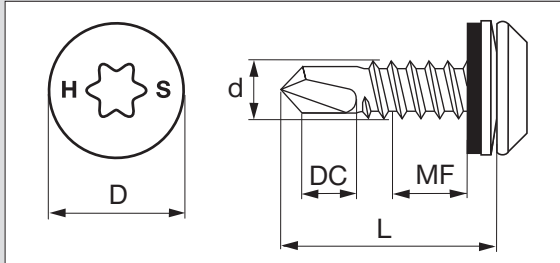
Reference:

- More Information see approval ETA-10/0182 (Chapter 16)

## 6.4.2 Stainless self-drill pan head screw (Ø 12) S-MD 33 PS



Stainless steel pan head screw with 12 mm sealing washer for light and medium outside application on steel



Ordering description	Drilling capacity range (DC)	Thickness fastened range (MF)	Screw diameter (d)	Screw length (L)	Washer size	EPDM thickness	Screw head diameter	Screw drive/recess type	Sales quantity	Item number
Self-drill screw S-MD33PS 5.5x22	2.1 - 5.5 mm	2.1 - 5 mm	5.5 mm	22 mm	12 mm	2 mm	12 mm	TX 25	500 pc	202427
Self-drill screw S-MD33PS 5.5x28	2.1 - 5.5 mm	2.1 - 11 mm	5.5 mm	28 mm	12 mm	2 mm	12 mm	TX 25	500 pc	202428
Self-drill screw S-MD33PS 5.5x38	2.1 - 5.5 mm	2.1 - 21 mm	5.5 mm	38 mm	12 mm	2 mm	12 mm	TX 25	250 pc	202429
Self-drill screw S-MD33PS 5.5x50	2.1 - 5.5 mm	2.1 - 33 mm	5.5 mm	50 mm	12 mm	2 mm	12 mm	TX 25	250 pc	202430

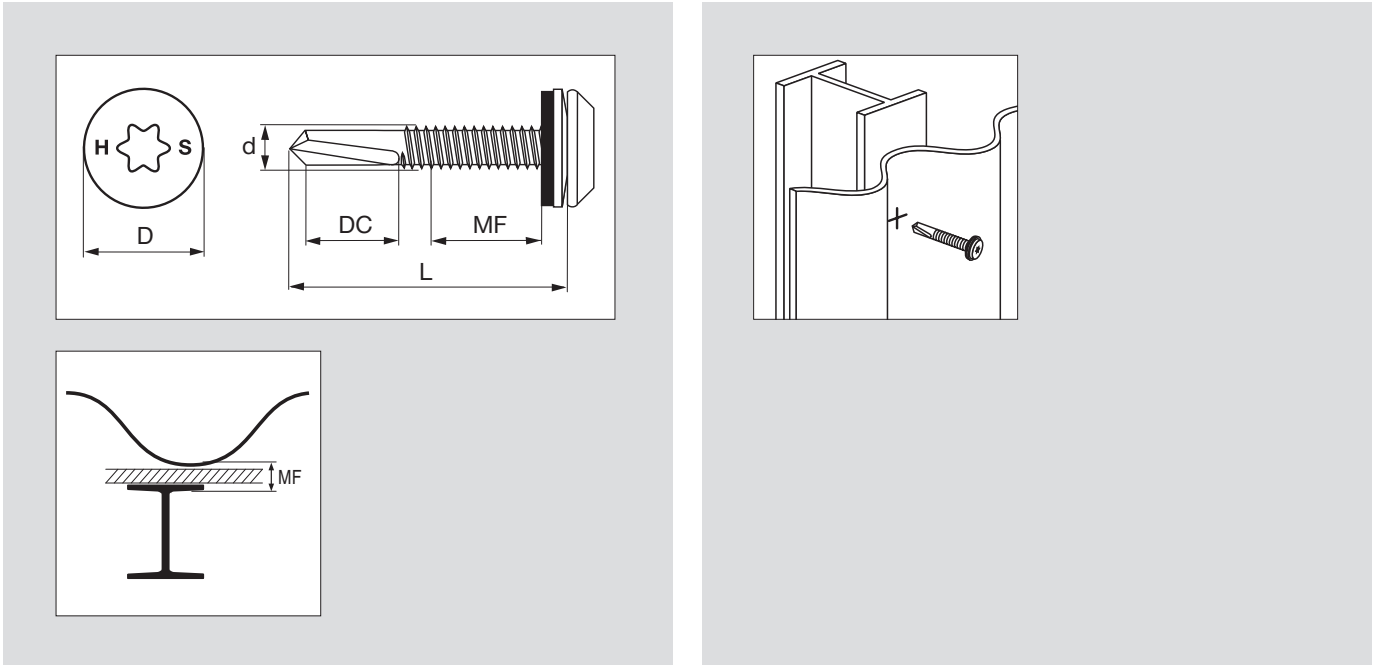
### Reference:

- More Information see approval ETA-10/0182 (Chapter 16)



### 6.4.3 Stainless self-drill pan head screw (Ø 12) S-MD 35 PS

Stainless steel pan head screw with 12 mm sealing washer for medium and heavy outside application on steel



6

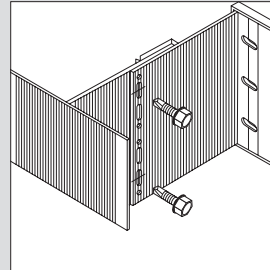
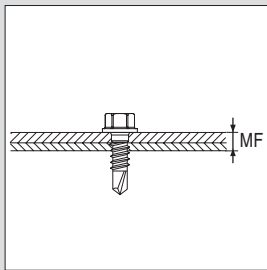
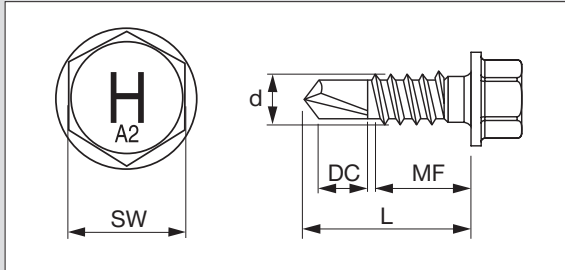
Ordering description	Drilling capacity range (DC)	Thickness fastened range (MF)	Screw diameter (d)	Screw length (L)	Washer size	EPDM thickness	Screw head diameter	Screw drive/recess type	Sales quantity	Item number
Self-drill screw S-MD35PS 5,5x45	4.6 - 12 mm	4.6 - 12 mm	5.5 mm	45 mm	12 mm	2 mm	12 mm	TX 25	250 pc	202431

**Reference:**

- More Information see approval ETA-10/0182 (Chapter 16)

## 6.5 Stainless steel self-drilling screw S-AD 01 S / S-AD 01 SS

Stainless steel self-drilling screw for fix-flex point fastening of light ventilated facade subconstruction



6

Ordering description	Material	Drilling capacity range (DC)	Thickness fastened range (MF)	Screw diameter (d)	Screw length (L)	Washer	Screw drive/recess type	Sales quantity	Item number
Self-drill screw S-AD01S 5,5x19	A2	1.5 - 4 mm	1.5 - 10 mm	5.5 mm	19 mm	12 mm pressed-on	Hexagon 8	500 pc	2039265
Self-drill screw S-AD01SS 5,5x19	A4	1.5 - 4 mm	1.5 - 10 mm	5.5 mm	19 mm	12 mm pressed-on	Hexagon 8	500 pc	2039266

### Reference:

- More Information see Technical certificate P-BWU 02-148009 (Chapter 16)

