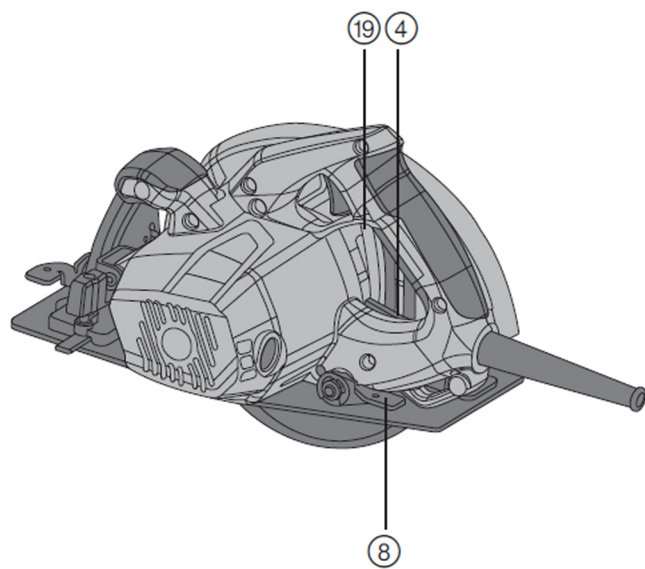
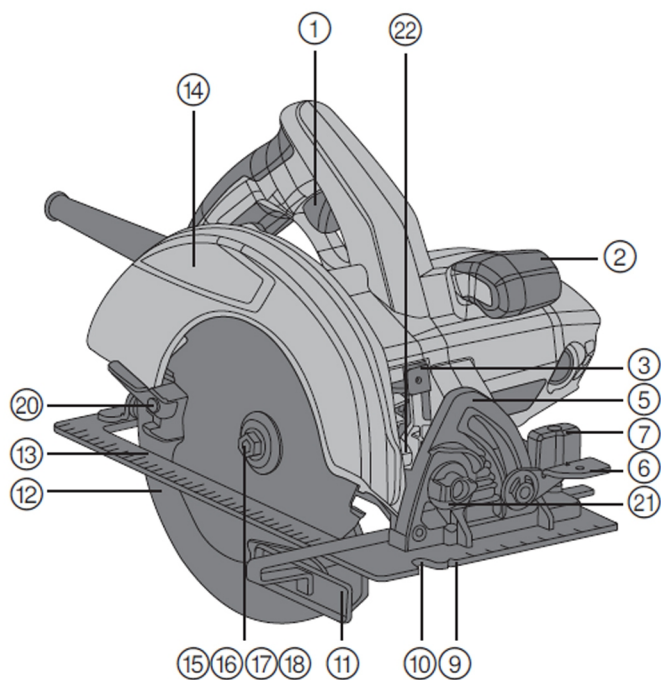


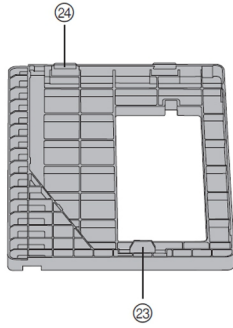


SCW 70
WSC 7.25-S

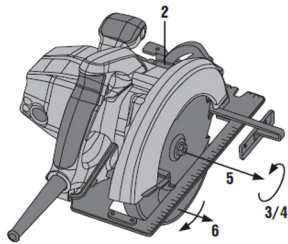
English	1
Français	10
Español	20
Português	30



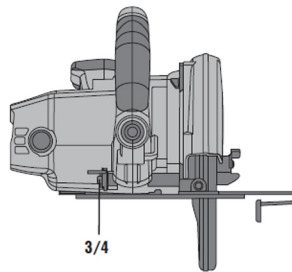
2



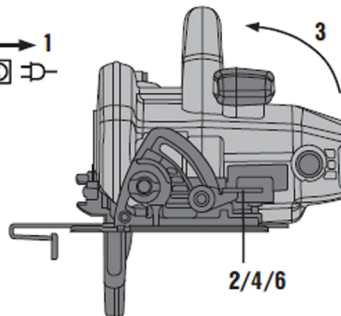
3



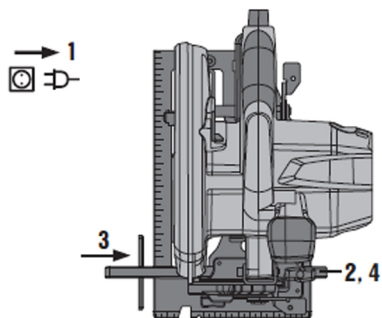
4



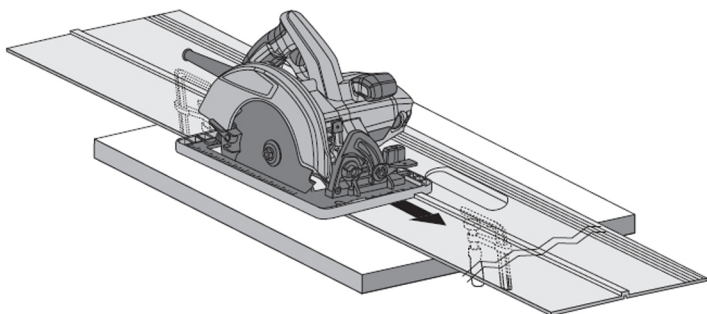
5



6



7



SCW 70

WSC 7.25-S

en	Original operating instructions	1
fr	Notice d'utilisation originale	10
es	Manual de instrucciones original	20
pt	Manual de instruções original	30

1 Information about the documentation

1.1 About this documentation

- Read this documentation before initial operation or use. This is a prerequisite for safe, trouble-free handling and use of the product.
- Observe the safety instructions and warnings in this documentation and on the product.
- Always keep the operating instructions with the product and make sure that the operating instructions are with the product when it is given to other persons.

1.2 Explanation of symbols used

1.2.1 Warnings

Warnings alert persons to hazards that occur when handling or using the product. The following signal words are used:



DANGER !

- ▶ Draws attention to imminent danger that will lead to serious personal injury or fatality.



WARNING !

- ▶ Draws attention to a potential threat of danger that can lead to serious injury or fatality.







CAUTION !

- ▶ Draws attention to a potentially dangerous situation that could lead to slight personal injury or damage to the equipment or other property.


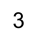



1.2.2 Symbols in the documentation

The following symbols are used in this document:

	Read the operating instructions before use.
	Instructions for use and other useful information
	Dealing with recyclable materials
	Do not dispose of electric equipment and batteries as household waste

1.2.3 Symbols in the illustrations

The following symbols are used in illustrations:

	These numbers refer to the corresponding illustrations found at the beginning of these operating instructions
	The numbering reflects the sequence of operations shown in the illustrations and may deviate from the steps described in the text
	Item reference numbers are used in the overview illustrations and refer to the numbers used in the product overview section
	This symbol is intended to draw special attention to certain points when handling the product.
	Wireless data transfer

1.3 Product information

Hilti products are designed for professional use and may be operated, serviced and maintained only by trained, authorized personnel. This personnel must be informed of any particular hazards that may be encountered. The product and its ancillary equipment can present hazards if used incorrectly by untrained personnel or if used not in accordance with the intended use.

The type designation and serial number are stated on the rating plate.

- ▶ Write down the serial number in the table below. You will be required to state the product details when contacting Hilti Service or your local Hilti organization to inquire about the product.

Product information → page 2

Product information

Circular saw	SCW 70 WSC 7.25-S
Generation	01 02
Serial no.	

1.4 Declaration of conformity

We declare, on our sole responsibility, that the product described here complies with the applicable directives and standards. A copy of the declaration issued by the certification department can be found at the end of this documentation.

The technical documentation is filed and stored here:

Hilti Entwicklungsgesellschaft mbH | Tool Certification | Hiltistrasse 6 | 86916 Kaufering, Germany

2 Safety

2.1 General power tool safety warnings

WARNING

Read all safety warnings and all instructions. Failure to follow the warnings and instructions may result in electric shock, fire and/or serious injury.

Save all warnings and instructions for future reference.

Work area safety

- ▶ **Keep work area clean and well lit.** Cluttered or dark areas invite accidents.
- ▶ **Do not operate power tools in explosive atmospheres, such as in the presence of flammable liquids, gases or dust.** Power tools create sparks which may ignite the dust or fumes.
- ▶ **Keep children and bystanders away while operating a power tool.** Distractions can cause you to lose control.

Electrical safety

- ▶ **Power tool plugs must match the outlet. Never modify the plug in any way. Do not use any adapter plugs with earthed (grounded) power tools.** Unmodified plugs and matching outlets will reduce risk of electric shock.
- ▶ **Avoid body contact with earthed or grounded surfaces, such as pipes, radiators, ranges and refrigerators.** There is an increased risk of electric shock if your body is earthed or grounded.
- ▶ **Do not expose power tools to rain or wet conditions.** Water entering a power tool will increase the risk of electric shock.
- ▶ **Do not abuse the cord. Never use the cord for carrying, pulling or unplugging the power tool. Keep cord away from heat, oil, sharp edges or moving parts.** Damaged or entangled cords increase the risk of electric shock.
- ▶ **When operating a power tool outdoors, use an extension cord suitable for outdoor use.** Use of a cord suitable for outdoor use reduces the risk of electric shock.
- ▶ **If operating a power tool in a damp location is unavoidable, use a residual current device (RCD) protected supply.** Use of an RCD reduces the risk of electric shock.

Personal safety

- ▶ **Stay alert, watch what you are doing and use common sense when operating a power tool. Do not use a power tool while you are tired or under the influence of drugs, alcohol or medication.** A moment of inattention while operating power tools may result in serious personal injury.
- ▶ **Use personal protective equipment. Always wear eye protection.** Protective equipment such as dust mask, non-skid safety shoes, hard hat, or hearing protection used for appropriate conditions will reduce personal injuries.



- ▶ **Prevent unintentional starting. Ensure the switch is in the off-position before connecting to power source, picking up or carrying the tool.** Carrying power tools with your finger on the switch or energising power tools that have the switch on invites accidents.
- ▶ **Remove any adjusting key or wrench before turning the power tool on.** A wrench or a key left attached to a rotating part of the power tool may result in personal injury.
- ▶ **Do not overreach. Keep proper footing and balance at all times.** This enables better control of the power tool in unexpected situations.
- ▶ **Dress properly. Do not wear loose clothing or jewellery. Keep your hair, clothing and gloves away from moving parts.** Loose clothes, jewellery or long hair can be caught in moving parts.
- ▶ **If devices are provided for the connection of dust extraction and collection facilities, ensure these are connected and properly used.** Use of dust collection can reduce dust-related hazards.

Power tool use and care

- ▶ **Do not force the power tool. Use the correct power tool for your application.** The correct power tool will do the job better and safer at the rate for which it was designed.
- ▶ **Do not use the power tool if the switch does not turn it on and off.** Any power tool that cannot be controlled with the switch is dangerous and must be repaired.
- ▶ **Disconnect the plug from the power source from the power tool before making any adjustments, changing accessories, or storing power tools.** Such preventive safety measures reduce the risk of starting the power tool accidentally.
- ▶ **Store idle power tools out of the reach of children and do not allow persons unfamiliar with the power tool or these instructions to operate the power tool.** Power tools are dangerous in the hands of untrained users.
- ▶ **Maintain power tools. Check for misalignment or binding of moving parts, breakage of parts and any other condition that may affect the power tool's operation. If damaged, have the power tool repaired before use.** Many accidents are caused by poorly maintained power tools.
- ▶ **Keep cutting tools sharp and clean.** Properly maintained cutting tools with sharp cutting edges are less likely to bind and are easier to control.
- ▶ **Use the power tool, accessories and tool bits etc. in accordance with these instructions, taking into account the working conditions and the work to be performed.** Use of the power tool for operations different from those intended could result in a hazardous situation.

Service

- ▶ **Have your power tool serviced by a qualified repair person using only identical replacement parts.** This will ensure that the safety of the power tool is maintained.

2.2 Safety instructions for all saws

Cutting procedures

- ▶ **⚠ DANGER: Keep hands away from cutting area and the blade. Keep your second hand on auxiliary handle, or motor housing.** If both hands are holding the saw, they cannot be cut by the blade.
- ▶ **Do not reach underneath the workpiece.** The guard cannot protect you from the blade below the workpiece.
- ▶ **Adjust the cutting depth to the thickness of the workpiece.** Less than a full tooth of the blade teeth should be visible below the workpiece.
- ▶ **Never hold piece being cut in your hands or across your leg. Secure the workpiece to a stable platform.** It is important to support the work properly to minimize body exposure, blade binding, or loss of control.
- ▶ **Hold the power tool by insulated gripping surfaces only, when performing an operation where the cutting tool may contact hidden wiring or its own cord.** Contact with a "live" wire will also make exposed metal parts of the power tool "live" and could give the operator an electric shock.
- ▶ **When ripping, always use a rip fence or straight edge guide.** This improves the accuracy of cut and reduces the chance of blade binding.
- ▶ **Always use blades with correct size and shape (diamond versus round) of arbour holes.** Blades that do not match the mounting hardware of the saw will run eccentrically, causing loss of control.
- ▶ **Never use damaged or incorrect blade washers or bolt.** The blade washers and bolt were specially designed for your saw, for optimum performance and safety of operation.

Kickback causes and related warnings

- kickback is a sudden reaction to a pinched, bound or misaligned saw blade, causing an uncontrolled saw to lift up and out of the workpiece toward the operator;



- when the blade is pinched or bound tightly by the kerf closing down, the blade stalls and the motor reaction drives the unit rapidly back toward the operator;
- if the blade becomes twisted or misaligned in the cut, the teeth at the back edge of the blade can dig into the top surface of the wood causing the blade to climb out of the kerf and jump back toward the operator.

Kickback is the result of saw misuse and/or incorrect operating procedures or conditions and can be avoided by taking proper precautions as given below.

- ▶ **Maintain a firm grip with both hands on the saw and position your arms to resist kickback forces. Position your body to either side of the blade, but not in line with the blade.** Kickback could cause the saw to jump backwards, but kickback forces can be controlled by the operator, if proper precautions are taken.
- ▶ **When blade is binding, or when interrupting a cut for any reason, release the trigger and hold the saw motionless in the material until the blade comes to a complete stop. Never attempt to remove the saw from the work or pull the saw backward while the blade is in motion or kickback may occur.** Investigate and take corrective actions to eliminate the cause of blade binding.
- ▶ **When restarting a saw in the workpiece, centre the saw blade in the kerf and check that saw teeth are not engaged into the material.** If saw blade is binding, it may walk up or kickback from the workpiece as the saw is restarted.
- ▶ **Support large panels to minimise the risk of blade pinching and kickback.** Large panels tend to sag under their own weight. Supports must be placed under the panel on both sides, near the line of cut and near the edge of the panel.
- ▶ **Do not use dull or damaged blades.** Unsharpened or improperly set blades produce narrow kerf causing excessive friction, blade binding and kickback.
- ▶ **Blade depth and bevel adjusting locking levers must be tight and secure before making cut.** If blade adjustment shifts while cutting, it may cause binding and kickback.
- ▶ **Use extra caution when sawing into existing walls or other blind areas.** The protruding blade may cut objects that can cause kickback.

Lower guard function

- ▶ **Check lower guard for proper closing before each use. Do not operate the saw if lower guard does not move freely and close instantly. Never clamp or tie the lower guard into the open position.** If saw is accidentally dropped, lower guard may be bent. Raise the lower guard with the retracting handle and make sure it moves freely and does not touch the blade or any other part, in all angles and depths of cut.
- ▶ **Check the operation of the lower guard spring. If the guard and the spring are not operating properly, they must be serviced before use.** Lower guard may operate sluggishly due to damaged parts, gummy deposits, or a build-up of debris.
- ▶ **Lower guard may be retracted manually only for special cuts such as "plunge cuts" and "compound cuts". Raise lower guard by retracting handle and as soon as blade enters the material, the lower guard must be released.** For all other sawing, the lower guard should operate automatically.
- ▶ **Always observe that the lower guard is covering the blade before placing saw down on bench or floor.** An unprotected, coasting blade will cause the saw to walk backwards, cutting whatever is in its path. Be aware of the time it takes for the blade to stop after switch is released.

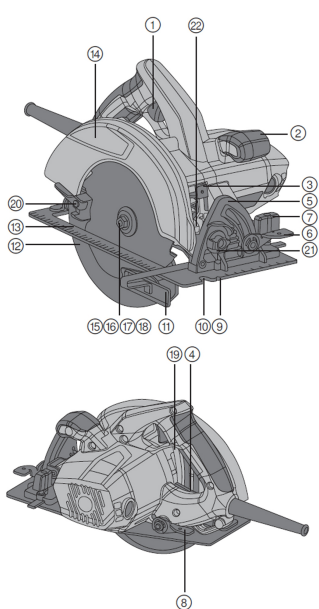
2.3 Additional safety instructions for circular saws

- ▶ Bring the saw blade into contact with the workpiece only when the circular saw is switched on.
 - ◀ The path of the saw must be free of obstructions above and below the workpiece. Do not saw into screws, nails or similar objects.
- ▶ Never work overhead with a circular saw.
- ▶ Never attempt to brake the saw blade by applying lateral pressure.
- ▶ Avoid overheating the tips of the saw blade teeth.
- ▶ Always use a saw blade that is suitable for the material you are going to saw.
- ▶ Use only saw blades recommended by Hilti that comply with the EN 847-1 standard.



3 Description

3.1 Product overview 1



- ① On/off switch
- ② Auxiliary grip
- ③ Spindle lock button
- ④ Hex key
- ⑤ Cutting angle scale
- ⑥ Clamping lever for cutting angle adjustment
- ⑦ Clamping screw for fence
- ⑧ Clamping lever for cutting depth adjustment
- ⑨ 45° cutting line indicator
- ⑩ 0° cutting line indicator
- ⑪ Fence
- ⑫ Pivoting guard
- ⑬ Base plate
- ⑭ Guard
- ⑮ Arbor
- ⑯ Mounting flange
- ⑰ Clamping flange
- ⑱ Clamping screw
- ⑲ Cutting depth scale
- ⑳ Pivoting guard operating lever
- ㉑ Cutting angle setting
- ㉒ LED

3.2 Overview of the guide rail adapter 2

- ㉓ Rear retaining lug
- ㉔ Front retaining lug

3.3 Intended use

The product described is a circular saw. It is designed for cutting wood or wood-like materials, plastics, gypsum plasterboard, gypsum fiberboard and composite materials, up to a cutting depth of 70 mm (2.75 in), and for miter cuts at angles up to 56°.

3.3.1 Possible misuse

Do not use saw blades not compliant with the technical data and do not use cut-off wheels, abrasive wheels or saw blades made of highly alloyed high speed steel (HSS steel). Do not use this power tool to saw metal.

3.4 Items supplied

Circular saw, saw blade, hex key, fence, operating instructions.



To help ensure safe and reliable operation, use only genuine Hilti spare parts and consumables. Spare parts, consumables and accessories approved by Hilti for use with the product can be found at your local **Hilti Store** or online at: www.hilti.group

4 Technical data

4.1 Technical data

	SCW 70	WSC 7.25-S
Weight in accordance with EPTA procedure 01	5.1 kg	5.1 kg
Dimensions (L x W x H)	317 x 236 x 269 mm (12.48 x 9.29 x 10.59 in)	317 x 236 x 269 mm (12.48 x 9.29 x 10.59 in)
Base plate	290 x 170 mm (11.42 x 6.69 in)	290 x 170 mm (11.42 x 6.69 in)
Saw blade diameter	184 mm ... 190 mm (7.2 in ... 7.5 in)	184 mm ... 190 mm (7.2 in ... 7.5 in)
Saw blade disc thickness	1.1 mm ... 1.5 mm (0.04 in ... 0.06 in)	1.1 mm ... 1.5 mm (0.04 in ... 0.06 in)
Kerf width	1.7 mm ... 2.3 mm (0.07 in ... 0.09 in)	1.7 mm ... 2.3 mm (0.07 in ... 0.09 in)
Saw blade arbor size	30 mm (1.2 in)	5/8 in
Cutting depth at 0°	0 mm ... 67 mm (0 in ... 2.6 in)	0 mm ... 67 mm (0 in ... 2.6 in)
Cutting depth at 45°	0 mm ... 49 mm (0 in ... 1.9 in)	0 mm ... 49 mm (0 in ... 1.9 in)
Cutting depth at 56°	0 mm ... 38 mm (0 in ... 1.5 in)	0 mm ... 38 mm (0 in ... 1.5 in)
No-load speed	5,800 /min	5,800 /min
Protection class	II	II

5 Use of extension cords



WARNING

A damaged supply cord presents a hazard! Do not touch the supply cord or extension cord if damaged while working. Disconnect the supply cord plug from the power outlet.

- ▶ Check the appliance's supply cord at regular intervals and have it replaced by a qualified specialist if found to be damaged.
- Use only extension cords of a type approved for the application and with conductors of adequate cross-section. Otherwise the performance of the appliance may be affected and the cord may overheat.
- Regularly check the extension cord for damage.
- Replace damaged extension cords.
- When working outdoors, use only extension cords that are approved and correspondingly marked for this application.

Recommended minimum conductor gauge (cross section) and maximum cable length with 120V supply voltage

Extension cables	AWG 16	AWG 14	AWG 12	AWG 10
Extension cable conductor gauge	1,31 mm ²	2,08 mm ²	3,31 mm ²	5,26 mm ²
Extension cable conductor gauge	2,58 kcmil	4,11 kcmil	6,53 kcmil	10,4 kcmil
Extension cable length	25 m	30 m	50 m	100 m
Extension cable length	75 ft	100 ft	150 ft	250 ft



6 Operation

6.1 Removing the saw blade 3

WARNING

Risk of burning injury. A hot accessory tool, clamping flange or clamping screw and the sharp edges of the saw blade present hazards.

- ▶ Wear protective gloves when changing saw blades.

1. Disconnect the supply cord plug from the power outlet.
2. Press the arbor lock button.
3. Turn the saw blade clamping screw with the hex key until the spindle lock button engages fully.
4. Use the hex key to slacken the clamping screw by turning it counter-clockwise.
5. Remove the clamping screw from the outer clamping flange.
6. Open the pivoting guard by swinging it clear and remove the saw blade.

6.2 Fitting the saw blade

CAUTION

Risk of damage Unsuitable or incorrectly fitted saw blades may damage the saw.

- ▶ Only use blades which are suitable for this saw. Observe the direction-of-rotation arrow on the saw blade.

1. Disconnect the supply cord plug from the power outlet.
2. Clean the mounting flange and the clamping flange.
3. Fit the mounting flange.
4. Open the pivoting guard.
5. Fit the new saw blade.
6. Fit the outer clamping flange.
7. Secure the clamping flange with the clamping screw by turning it clockwise. At the same time, use one hand to hold down the arbor lock button.
8. Before using the power tool, check that the saw blade is correctly seated and tightened securely.

6.3 Adjusting the cutting depth 4

1. Disconnect the supply cord plug from the power outlet.
2. Rest the circular saw on a flat surface.
3. Release the cutting depth adjustment clamping lever.
4. Lift the circular saw in a scissoring movement and set the cutting depth.
 - ◀ The cutting depth is shown on the cutting depth scale.



For a clean-edged cut, set cutting depth to the thickness of the material plus 2 mm.

5. Secure the cutting depth adjustment clamping lever.

6.4 Setting the miter cut angle 5

1. Disconnect the supply cord plug from the power outlet.
2. Release the cutting angle adjustment clamping lever.
3. Pivot the base plate to the desired miter cut angle.
 - ◀ The miter cutting angle is shown on the miter cut angle scale.
4. Tighten the cutting angle adjustment clamping lever.

6.5 Selecting a miter cut angle presetting

1. Disconnect the supply cord plug from the power outlet.
2. Release the cutting angle adjustment clamping lever.
3. Pivot the base plate to the 0° position.

4. Set the angle indicator to the desired presetting for the miter cut.



There are three possible presettings: 22.5°, 45° and 56°.

5. Pivot the base plate to the stop.
6. Tighten the cutting angle adjustment clamping lever.

6.6 Cutting line indicator

At the front edge of the base plate of the circular saw is a line indicator for straight cuts and miter cuts (0° and 45°). This permits accurate cutting at the desired miter angle. The edge of the line indicator corresponds to the inside of the saw blade. There is a cutting line indicator at the opening for the saw blade at the front end of the base plate.

6.6.1 Sawing along a line



Secure the workpiece to prevent movement.

Position the workpiece so that the saw blade is free to rotate beneath it.

Check that the on/off switch on the product is in the “off” position.

Position the forward section of the circular saw’s base plate on the workpiece but do not bring the blade into contact with the workpiece.

1. Switch on the circular saw.
2. Guide the circular saw along the cutting line on the workpiece at a suitable speed.

6.7 Sawing with the fence

The single-arm fence can be used to make accurate cuts along the edge of a workpiece or to rip strips of equal width. The fence can be fitted on either side of the base plate.

6.7.1 Fitting / adjusting the fence

1. Disconnect the supply cord plug from the power outlet.
2. Slide the fence guide under the clamping screw.
3. Set the fence to the correct width for the cut.
4. Tighten the clamping screw.

6.8 Sawing with the guide rail.

Sawing with the guide rail can reduce the risk of kickback.

6.8.1 Inserting into / removing from the guide rail adapter

1. Remove the fence, if one is fitted.
2. Fit the front edge of the base plate into the front retaining lugs on the guide rail adapter.
3. Swing the rear edge of the base plate down fully into the guide rail adapter. The base plate must engage fully with the rear retaining lug.
4. To remove, pull the rear retaining lug back slightly and remove the circular saw from the guide rail adapter.

6.8.2 Longitudinal cuts at 0°

- ▶ Place the circular saw on the guide rail so that the rib fits into the groove in the adapter.

6.8.3 Longitudinal cuts at miter angles up to 56°

- ▶ Guide the circular saw with the outer edge of the guide rail adapter along the rib of the guide rail, as otherwise the saw blade will contact the guide rail.

6.8.4 Cuts angled across the workpiece



The cutting angle indicated is the angle of deviation from a straight, right-angled cut.



1. Position the guide rail with the zero mark at the edge of the workpiece and then pivot the rail until the desired angle shown on the angle scale is opposite the zero mark.
2. Secure the guide rail with the two screw clamps.

6.8.5 Sawing offcuts

1. Secure the guide rail from below with two screw clamps.



The saw must be placed on the guide rail behind the workpiece. Make sure that the saw blade is not in contact with the workpiece.

2. Position the circular saw on the guide rail a short distance from the starting point of the cut.
3. Switch on the circular saw.
4. Push the saw at a steady speed across the workpiece. The pivoting guard opens as it contacts the actuating edge of the guide rail and closes again at the end of the rail.

7 Care and maintenance

7.1 Checks after cleaning and maintenance



After cleaning or maintenance, check that all safety devices are fitted and that they function faultlessly.

- ▶ To check the pivoting guard, open the guard fully by moving the guard operating lever.
 - ◀ The pivoting guard must close quickly and completely when the guard operating lever is released.

7.2 Cleaning the guard

1. Remove the saw blade.
2. Clean the parts of the guard carefully with a dry brush.
3. Use a suitable tool to remove deposits or cuttings from the inside surfaces of the parts of the guard.
4. Fit the saw blade. → page 7

8 Disposal

Most of the materials from which **Hilti** tools and appliances are manufactured can be recycled. The materials must be correctly separated before they can be recycled. In many countries, your old tools, machines or appliances can be returned to **Hilti** for recycling. Ask **Hilti** Service or your Hilti representative for further information.



- ▶ Do not dispose of power tools, electronic equipment or batteries as household waste!

9 Manufacturer's warranty

- ▶ Please contact your local **Hilti** representative if you have questions about the warranty conditions.



1 Indications relatives à la documentation

1.1 À propos de cette documentation

- Lire intégralement la présente documentation avant la mise en service. C'est la condition préalablement requise pour assurer la sécurité du travail et un maniement sans perturbations.
- Bien respecter les consignes de sécurité et les avertissements de la présente documentation ainsi que celles figurant sur le produit.
- Toujours conserver le mode d'emploi à proximité du produit et uniquement le transmettre à des tiers avec ce mode d'emploi.

1.2 Explication des symboles

1.2.1 Avertissements

Les avertissements attirent l'attention sur des dangers liés à l'utilisation du produit. Les termes de signalisation suivants sont utilisés :

DANGER

DANGER !

- ▶ Pour un danger imminent qui peut entraîner de graves blessures corporelles ou la mort.

AVERTISSEMENT

AVERTISSEMENT !

- ▶ Pour un danger potentiel qui peut entraîner de graves blessures corporelles ou la mort.

ATTENTION

ATTENTION !

- ▶ Pour attirer l'attention sur une situation pouvant présenter des dangers entraînant des blessures corporelles légères ou des dégâts matériels.

1.2.2 Symboles dans la documentation

Les symboles suivants sont utilisés dans la présente documentation :

	Lire le mode d'emploi avant d'utiliser l'appareil
	Pour des conseils d'utilisation et autres informations utiles
	Maniement des matériaux recyclables
	Ne pas jeter les appareils électriques et les accus dans les ordures ménagères

1.2.3 Symboles dans les illustrations

Les symboles suivants sont utilisés dans les illustrations :

	Ces chiffres renvoient à l'illustration correspondante au début du présent mode d'emploi
	La numérotation détermine la séquence des étapes de travail dans l'image et peut se différencier de celles des étapes de travail dans le texte
	Les numéros de position sont utilisés dans l'illustration Vue d'ensemble et renvoient aux numéros des légendes dans la section Vue d'ensemble du produit
	Ce signe doit inviter à manier le produit en faisant particulièrement attention.
	Transmission de données sans fil

1.3 Informations produit

Les produits **Hilti** sont conçus pour les utilisateurs professionnels et ne doivent être utilisés, entretenus et réparés que par un personnel agréé et formé à cet effet. Ce personnel doit être au courant des dangers inhérents à l'utilisation de l'appareil. Le produit et ses accessoires peuvent s'avérer dangereux s'ils sont utilisés de manière incorrecte par un personnel non qualifié ou de manière non conforme à l'usage prévu.

La désignation du modèle et le numéro de série figurent sur sa plaque signalétique.

- ▶ Inscrivez le numéro de série dans le tableau suivant. Les informations produit vous seront demandées lorsque vous contactez nos revendeurs ou services après-vente.

Caractéristiques du produit

Scie circulaire	SCW 70 WSC 7.25-S
Génération	01 02
N° de série	

1.4 Déclaration de conformité

Nous déclarons sous notre seule et unique responsabilité que le produit décrit ici est conforme aux directives et normes en vigueur. Une copie de l'attestation délivrée par l'organisme de certification se trouve en fin de la présente documentation.

Pour obtenir les documentations techniques, s'adresser à :

Hilti Entwicklungsgesellschaft mbH | Zulassung Geräte | Hiltistraße 6 | 86916 Kaufering, DE

2 Sécurité

2.1 Indications générales de sécurité pour les appareils électriques

⚠ AVERTISSEMENT Lire et comprendre toutes les consignes de sécurité et instructions. Tout manquement à l'observation des consignes de sécurité et instructions risque de provoquer une électrocution, un incendie et/ou de graves blessures.

Les consignes de sécurité et instructions doivent être intégralement conservées pour les utilisations futures.

Sécurité sur le lieu de travail

- ▶ **Conserver la zone de travail propre et bien éclairée.** Un lieu de travail en désordre ou mal éclairé augmente le risque d'accidents.
- ▶ **Ne pas faire fonctionner les outils électriques en atmosphère explosive et où se trouvent des liquides, des gaz ou poussières inflammables.** Les outils électriques produisent des étincelles qui peuvent enflammer les poussières ou les fumées.
- ▶ **Tenir les enfants et autres personnes à l'écart pendant l'utilisation de l'outil électrique.** Si l'appareil dévie, il y a un risque de perte de contrôle de l'appareil.

Sécurité relative au système électrique

- ▶ **La fiche de secteur de l'outil électroportatif doit être adaptée à la prise de courant. Ne jamais modifier la fiche de quelque façon que ce soit. Ne pas utiliser d'adaptateurs avec des outils électriques à branchement de terre.** Des fiches non modifiées et des prises de courant adaptées réduiront le risque de choc électrique.
- ▶ **Éviter le contact physique avec des surfaces mises à la terre tels que tuyaux, radiateurs, cuisinières et réfrigérateurs.** Il y a un risque élevé de choc électrique au cas où votre corps serait relié à la terre.
- ▶ **Ne pas exposer les outils électroportatifs à la pluie ou à l'humidité.** La pénétration d'eau à l'intérieur d'un outil électroportatif augmentera le risque d'un choc électrique.
- ▶ **Ne jamais utiliser le cordon à d'autres fins que celles prévues, telles que pour porter, accrocher ou débrancher l'outil électroportatif de la prise de courant. Maintenir le cordon à l'écart de la chaleur, des parties grasses, des bords tranchants ou des parties de l'appareil en mouvement.** Des cordons endommagés ou emmêlés augmentent le risque de choc électrique.
- ▶ **Si l'outil électroportatif est utilisé à l'extérieur, utiliser uniquement une rallonge homologuée pour les applications extérieures.** L'utilisation d'une rallonge électrique homologuée pour les applications extérieures diminue le risque d'un choc électrique.
- ▶ **Si l'utilisation de l'outil électrique dans un environnement humide ne peut pas être évitée, utiliser un interrupteur de protection contre les courants de court-circuit.** L'utilisation d'un tel interrupteur de protection réduit le risque d'une décharge électrique.

Sécurité des personnes

- ▶ **Rester vigilant, surveiller ce que l'on fait. Faire preuve de bon sens en utilisant l'outil électroportatif. Ne pas utiliser l'outil électroportatif en étant fatigué ou sous l'emprise de l'alcool, de drogues ou de médicaments.** Un moment d'inattention lors de l'utilisation de l'outil électroportatif peut entraîner des blessures graves.
- ▶ **Utiliser un équipement de protection individuelle et toujours porter une protection pour les yeux.** Les équipements de protection individuelle tels que masque antipoussière, chaussures de sécurité antidérapantes, casque de protection ou protection acoustique suivant l'utilisation de l'outil électroportatif, réduiront le risque de blessures des personnes.
- ▶ **Éviter une mise en service par mégarde. S'assurer que l'outil électrique est arrêté avant de le brancher à l'alimentation électrique, de le prendre ou de le porter.** Le fait de porter l'outil électroportatif avec le doigt sur l'interrupteur ou de brancher l'appareil sur la source de courant lorsque l'interrupteur est en position de fonctionnement peut entraîner des accidents.
- ▶ **Retirer tout outil de réglage ou toute clé avant de mettre l'outil électroportatif en fonctionnement.** Une clé ou un outil se trouvant sur une partie en rotation peut causer des blessures.
- ▶ **Adopter une bonne posture. Veiller à toujours garder une position stable et équilibrée.** Cela permet un meilleur contrôle de l'outil électroportatif dans des situations inattendues.
- ▶ **S'habiller de manière adaptée. Ne pas porter de vêtements amples ni de bijoux. Garder les cheveux, les vêtements et les gants à distance des parties en mouvement.** Des vêtements amples, des bijoux ou des cheveux longs peuvent être happés par des parties en mouvement.
- ▶ **Si des dispositifs servant à aspirer ou à recueillir les poussières doivent être utilisés, s'assurer qu'ils sont effectivement raccordés et correctement utilisés.** L'utilisation d'un dispositif d'aspiration de la poussière peut réduire les risques dus aux poussières.

Utilisation et maniement de l'outil électroportatif

- ▶ **Ne pas forcer l'appareil. Utiliser l'outil électroportatif adapté au travail à effectuer.** Un outil électroportatif approprié réalisera mieux le travail et de manière plus sûre au régime pour lequel il a été conçu.
- ▶ **Ne pas utiliser d'outil électroportatif dont l'interrupteur est défectueux.** Tout outil électroportatif qui ne peut plus être mis en ou hors fonctionnement est dangereux et doit être réparé.
- ▶ **Retirez la fiche de la prise de courant avant d'effectuer des réglages sur l'appareil, de changer les accessoires, ou de ranger l'appareil.** Cette mesure de précaution empêche une mise en fonctionnement par mégarde de l'outil électroportatif.
- ▶ **Conserver les outils électroportatifs non utilisés hors de portée des enfants. Ne pas permettre l'utilisation de l'appareil à des personnes qui ne se sont pas familiarisées avec celui-ci ou qui n'ont pas lu ces instructions.** Les outils électroportatifs sont dangereux lorsqu'ils sont entre les mains de personnes non initiées.
- ▶ **Prendre soin des outils électroportatifs. Vérifier que les parties en mouvement fonctionnent correctement et qu'elles ne sont pas coincées, et contrôler si des parties sont cassées ou endommagées de sorte que le bon fonctionnement de l'outil électroportatif s'en trouve entravé. Faire réparer les parties endommagées avant d'utiliser l'appareil.** De nombreux accidents sont dus à des outils électroportatifs mal entretenus.
- ▶ **Garder les outils de coupe affûtés et propres.** Des outils destinés à couper correctement entretenus avec des pièces coupantes tranchantes sont moins susceptibles de bloquer et sont plus faciles à contrôler.
- ▶ **L'outil électroportatif, les accessoires, les outils amovibles, etc. doivent être utilisés conformément à ces instructions. Tenir également compte des conditions de travail et du travail à réaliser.** L'utilisation des outils électroportatifs à d'autres fins que celles prévues peut entraîner des situations dangereuses.

Service

- ▶ **L'outil électroportatif doit uniquement être réparé par un personnel qualifié, utilisant exclusivement des pièces de rechange d'origine.** Ceci permet d'assurer la sécurité de l'outil électroportatif.

2.2 Consignes de sécurité pour toutes les scies

Procédé de sciage

- ▶ **⚠ DANGER : Bien garder les mains à distance de la zone de sciage et de la lame de scie. Tenir la poignée supplémentaire ou le carter du moteur de l'autre main.** Si la scie est tenue des deux mains, celles-ci ne risquent pas d'être blessées par la lame de scie.
- ▶ **Ne pas passer les mains sous la pièce travaillée.** Sous la pièce travaillée, le capot de protection ne peut pas protéger l'utilisateur contre la lame de scie.

- ▶ **Adapter la profondeur de coupe à l'épaisseur de la pièce travaillée.** Moins d'une dent complète devrait apparaître sous la pièce.
- ▶ **Ne jamais tenir la pièce à scier avec la main ou sur la jambe. Fixer la pièce sur un support stable.** Il est important de bien fixer la pièce, afin de réduire au minimum les dangers de contact physique, de coincement de la lame de scie ou de perte de contrôle.
- ▶ **Saisir l'outil électroportatif uniquement par les surfaces isolées des poignées lors des travaux pendant lesquels l'accésoire risque de toucher des câbles électriques cachés ou son propre câble d'alimentation réseau.** Le contact avec un câble sous tension met les parties métalliques de l'outil électroportatif sous tension et provoque une décharge électrique.
- ▶ **Toujours utiliser une butée ou un guidage droit de bords pour des coupes longitudinales.** Ceci améliore la précision de coupe et réduit le danger de voir la lame de scie se coincer.
- ▶ **Toujours utiliser des lames de scie de la bonne taille et dont l'alésage de fixation est de forme appropriée (par ex. en étoile ou rond).** Les lames de scie qui ne conviennent pas aux pièces d'assemblage de la scie sont comme voilées et entraînent une perte de contrôle.
- ▶ **Ne jamais utiliser de rondelles ou de vis endommagées ou qui ne conviennent pas pour la lame de scie.** Les rondelles et vis pour la lame de scie ont spécialement été conçues pour cette scie, pour des performances et une sécurité de fonctionnement optimales.

Contrecoup – Causes et consignes de sécurité correspondantes

- un contrecoup est une réaction soudaine d'une lame de scie restée accrochée, coincée ou mal orientée, qui provoque le soulèvement incontrôlé de la scie et sa sortie de la pièce travaillée en direction de l'utilisateur ;
- si la lame de scie reste accrochée ou se coince dans la fente sciée qui se ferme, elle se bloque et la force du moteur entraîne la scie en direction de l'utilisateur ;
- si la lame de scie est tordue ou mal orientée dans le tracé de la coupe, les dents du bord arrière de la lame de scie risquent de s'accrocher dans la surface de la pièce, faisant sauter brusquement la lame de scie de la fente et propulsant la scie vers l'arrière en direction de l'utilisateur.

Un contrecoup est la conséquence d'une utilisation erronée ou inappropriée de la scie. Il peut être évité en prenant les mesures de précaution adaptées telles que décrites ci-dessous.

- ▶ **Bien tenir la scie des deux mains et mettre les bras dans une position permettant d'amortir la force de contrecoup. Toujours se tenir latéralement à la lame de scie, le corps de l'utilisateur ne doit jamais être dans l'alignement de la lame de scie.** Lors d'un contrecoup, la scie circulaire risque d'être propulsée vers l'arrière, l'utilisateur peut cependant contrôler les forces de contrecoup en prenant des mesures de précaution appropriées.
- ▶ **Si la lame de scie se coince ou que le travail est interrompu, arrêter la scie et la tenir dans le matériau sans bouger jusqu'à ce que la lame de scie s'immobilise. Ne jamais essayer de sortir la scie de la pièce travaillée ou de la tirer vers l'arrière tant que la lame de scie bouge, sans quoi un contrecoup risque de se produire.** Déterminer et résoudre la cause du coincement de la lame de scie.
- ▶ **Si une scie qui s'est bloquée dans une pièce doit être remise en marche, centrer la lame de scie dans la fente et vérifier que les dents de la scie ne sont pas restées accrochées dans la pièce.** Si la lame de scie est coincée, elle peut sortir de la pièce ou causer un contrecoup quand la scie est remise en marche.
- ▶ **Soutenir les grands panneaux travaillés afin de réduire le risque d'un contrecoup causé par une lame de scie coincée.** Les grands panneaux risquent de s'arquer sous leur propre poids. Les panneaux doivent être soutenus des deux côtés par des supports, près de la fente de scie ainsi que sur l'arête.
- ▶ **Ne pas utiliser de lames de scie émoussées ou endommagées.** Les lames de scie dont les dents sont émoussées ou mal orientées entraînent une fente trop étroite et par conséquent une friction élevée, un coincement de la lame de scie et un contrecoup.
- ▶ **Resserrer les réglages de la profondeur de coupe ainsi que de l'angle de coupe avant le sciage.** La lame de scie risque de se coincer et un contrecoup de se produire si les réglages se modifient pendant l'opération de sciage.
- ▶ **Procéder avec une extrême prudence en cas de sciage dans des murs existants ou autres zones imprévisibles.** Lors du sciage, la lame de scie plongeante risque de se coincer dans des objets cachés et de causer un contrecoup.

Fonction du capot de protection inférieur

- ▶ **Contrôler avant chaque utilisation que le capot inférieur de protection ferme parfaitement. Ne pas utiliser la scie quand le capot inférieur de protection ne peut pas bouger librement et ne se ferme pas tout de suite. Ne jamais coincer ou attacher le capot inférieur de protection en position ouverte.** Si, par mégarde, la scie tombe par terre, le capot inférieur de protection risque d'être déformé. Ouvrir le capot de protection à l'aide du levier et s'assurer qu'il peut encore bouger librement et ne

touche ni la lame de scie ni d'autres éléments de l'appareil, et ceci pour tous les angles de coupe ainsi que pour toutes les profondeurs de coupe.

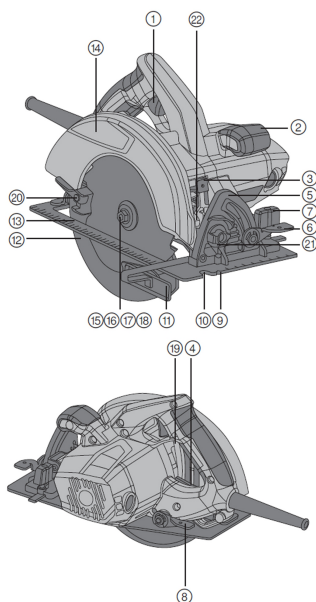
- ▶ **Contrôler le bon fonctionnement du ressort du capot inférieur de protection. Faire effectuer un entretien de la scie avant son utilisation, si le capot de protection inférieur et le ressort ne fonctionnent pas parfaitement.** Des parties endommagées, des restes de colle ou des accumulations de copeaux font que le capot inférieur de protection fonctionne plus lentement.
- ▶ **N'ouvrir le capot inférieur de protection manuellement que pour des coupes spéciales telles que les "coupes en plongée et coupes angulaires". Ouvrir le capot inférieur de protection à l'aide du levier et le lâcher dès que la lame de scie plonge dans la pièce.** Pour toutes les autres opérations de sciage, le capot inférieur de protection doit fonctionner automatiquement.
- ▶ **Ne pas déposer la scie sur l'établi ou le sol sans que le capot inférieur de protection couvre la lame de scie.** Une lame de scie non protégée et qui n'est pas encore à l'arrêt total fait bouger la scie dans le sens contraire au sens de coupe et scie tout ce qui est sur son chemin. Tenir compte du temps de ralentissement de la scie.

2.3 Consignes de sécurité supplémentaires spécifiques aux scies circulaires

- ▶ Uniquement amener la scie circulaire à l'état mis en marche contre la pièce travaillée.
 - ◀ La surface de coupe doit être libre de tout obstacle, en haut et en bas. Ne pas scier des vis, clous ou objets analogues.
- ▶ Ne jamais travailler avec une scie circulaire au plafond ou au-dessus de la tête.
- ▶ Ne jamais freiner la lame de scie en exerçant une contre-pression latérale.
- ▶ Éviter toute surchauffe des pointes des dents de scie.
- ▶ Toujours utiliser la lame de scie adaptée au matériau support à scier.
- ▶ Utiliser exclusivement des lames de scie recommandées par Hilti, conformes à la norme EN 847-1.

3 Description

3.1 Vue d'ensemble du produit



- ① Interrupteur Marche / Arrêt
- ② Poignée supplémentaire
- ③ Bouton de blocage de la broche
- ④ Clé pour vis à tête six pans creux
- ⑤ Échelle d'angle de coupe
- ⑥ Levier de blocage pour réglage de l'angle de coupe
- ⑦ Vis de blocage pour la butée parallèle
- ⑧ Levier de blocage pour réglage de la profondeur de coupe
- ⑨ Repère de coupe 45°
- ⑩ Repère de coupe 0°
- ⑪ Butée parallèle
- ⑫ Capot de protection oscillant
- ⑬ Semelle
- ⑭ Carter de protection
- ⑮ Broche d'entraînement
- ⑯ Flasque support
- ⑰ Flasque de serrage
- ⑱ Vis de serrage
- ⑲ Échelle de profondeur de coupe
- ⑳ Levier de commande du capot de protection oscillant
- ㉑ Préréglage de l'angle de coupe
- ㉒ DEL



3.2 Vue d'ensemble de l'adaptateur de rail de guidage 2

⑳ Taquet de maintien arrière

㉑ Taquet de maintien avant

3.3 Utilisation conforme à l'usage prévu

Le produit décrit est une scie circulaire. Elle est destinée aux travaux de sciage dans le bois ou des matières analogues au bois, des plastiques, des panneaux-plan, du placoplâtre et des matériaux composites jusqu'à une profondeur de coupe de 70 mm (2,75 in), ainsi que des coupes obliques jusqu'à 56°.

3.3.1 Risque d'utilisation non conforme

Ne pas utiliser de lames de scie non conformes aux caractéristiques techniques, ni des disques de tronçonnage, disques de meulage ainsi que des lames de scie en acier rapide fortement allié (acier HSS). Ne pas scier les métaux.

3.4 Éléments fournis

Scie circulaire, lame de scie, clé pour vis à tête six pans creux, butée parallèle, mode d'emploi.



Pour une utilisation en toute sécurité, utiliser uniquement des pièces de rechange et consommables d'origine. Vous trouverez les pièces de rechange, consommables et accessoires autorisés convenant pour votre produit dans le centre **Hilti Store** ou sous : www.hilti.group

4 Caractéristiques techniques

4.1 Caractéristiques techniques

	SCW 70	WSC 7.25-S
Poids selon la procédure EPTA 01	5,1 kg	5,1 kg
Dimensions (L x l x H)	317 x 236 x 269 mm (12,48 x 9,29 x 10,59 in)	317 x 236 x 269 mm (12,48 x 9,29 x 10,59 in)
Semelle	290 x 170 mm (11,42 x 6,69 in)	290 x 170 mm (11,42 x 6,69 in)
Diamètre de la lame de scie	184 mm ... 190 mm (7,2 in ... 7,5 in)	184 mm ... 190 mm (7,2 in ... 7,5 in)
Épaisseur de la lame (disque)	1,1 mm ... 1,5 mm (0,04 in ... 0,06 in)	1,1 mm ... 1,5 mm (0,04 in ... 0,06 in)
Largeur de coupe	1,7 mm ... 2,3 mm (0,07 in ... 0,09 in)	1,7 mm ... 2,3 mm (0,07 in ... 0,09 in)
Trou de fixation de la lame de scie	30 mm (1,2 in)	5/8 pouces
Profondeur de coupe à 0°	0 mm ... 67 mm (0 in ... 2,6 in)	0 mm ... 67 mm (0 in ... 2,6 in)
Profondeur de coupe à 45°	0 mm ... 49 mm (0 in ... 1,9 in)	0 mm ... 49 mm (0 in ... 1,9 in)
Profondeur de coupe à 56°	0 mm ... 38 mm (0 in ... 1,5 in)	0 mm ... 38 mm (0 in ... 1,5 in)
Vitesse de rotation à vide	5.800 tr/min	5.800 tr/min
Classe de protection	II	II

5 Utilisation de rallonges électriques



AVERTISSEMENT

Danger engendré par un câble endommagé ! Si le câble d'alimentation réseau ou de rallonge est endommagé pendant le travail, ne pas le toucher. Débrancher la prise.

- ▶ Contrôler régulièrement les câbles de raccordement de l'appareil et les faire remplacer par un spécialiste s'ils sont endommagés.



- Utiliser uniquement des rallonges homologuées pour le domaine d'utilisation concerné et de section suffisante. Sinon, une perte de puissance de l'appareil et une surchauffe du câble risquent de se produire.
- Vérifier régulièrement l'état de la rallonge électrique.
- Remplacer les rallonges électriques endommagées.
- À l'extérieur, n'utiliser que des rallonges homologuées et dotées du marquage adéquat.

Sections minimales recommandées et longueurs maximales de câbles pour une tension secteur de 120 V

Câble	AWG 16	AWG 14	AWG 12	AWG 10
Section des conducteurs	1,31 mm ²	2,08 mm ²	3,31 mm ²	5,26 mm ²
Section des conducteurs	2,58 kcmil	4,11 kcmil	6,53 kcmil	10,4 kcmil
Longueur du câble	25 m	30 m	50 m	100 m
Longueur du câble	75 ft	100 ft	150 ft	250 ft

6 Utilisation

6.1 Démontage de la lame de scie

AVERTISSEMENT

Risque de brûlures Danger engendré par l'outil très chaud, le flasque de serrage ou les vis de serrage et arêtes tranchantes des lames de scie.

- ▶ Utiliser des gants de protection pour changer d'outil.

1. Débrancher la fiche de la prise.
2. Appuyer sur le bouton de blocage de la broche.
3. À l'aide de la clé pour vis à tête six pans creux, tourner la vis de serrage de la lame de scie jusqu'à ce que le bouton de blocage de la broche s'encliquette complètement.
4. Desserrer la vis de serrage à l'aide de la clé pour vis à tête six pans creux en tournant dans le sens inverse des aiguilles d'une montre.
5. Enlever la vis de serrage et le flasque de serrage extérieur.
6. Ouvrir le capot de protection oscillant en l'inclinant et enlever la lame de scie.

6.2 Mise en place de la lame de la scie

ATTENTION

Risque d'endommagement Des lames de scie inappropriées ou mal mises en place risquent d'endommager la scie.

- ▶ Utiliser uniquement des lames de scie qui conviennent pour cette scie. Respecter le sens de la flèche sur la lame de scie.

1. Débrancher la fiche de la prise.
2. Nettoyer le flasque support et le flasque de serrage.
3. Monter le flasque support.
4. Ouvrir le capot de protection oscillant.
5. Insérer la nouvelle lame de scie.
6. Monter le flasque de serrage extérieur.
7. Fixer le flasque de serrage avec la vis de serrage en tournant dans le sens des aiguilles d'une montre. Ce faisant, maintenir d'une main le bouton de blocage de la broche enfoncé.
8. Avant la mise en service, vérifier que la lame de la scie est bien en place et correctement serrée.

6.3 Réglage de la profondeur de coupe

1. Débrancher la fiche de la prise.
2. Poser la scie circulaire sur un matériau support.
3. Desserrer le levier de blocage du réglage de la profondeur de coupe.

4. Lever la scie circulaire dans un mouvement en ciseaux et régler la profondeur de coupe.
 - ◀ La profondeur de coupe est indiquée sur la graduation de profondeur de coupe.



Pour obtenir une arête de coupe nette, la profondeur de coupe doit coïncider avec l'épaisseur du matériau plus 2 mm.

5. Fixer le levier de blocage du réglage de la profondeur de coupe.

6.4 Réglage de l'angle de coupe 5

1. Débrancher la fiche de la prise.
2. Desserrer le levier de blocage du réglage de l'angle de coupe.
3. Incliner la semelle jusqu'à l'angle de coupe maximal voulu.
 - ◀ L'angle de coupe est indiqué sur la graduation de profondeur de coupe.
4. Serrer à fond le levier de blocage du réglage de l'angle de coupe.

6.5 Réglage de l'angle de coupe avec pré-réglage

1. Débrancher la fiche de la prise.
2. Desserrer le levier de blocage du réglage de l'angle de coupe.
3. Incliner la semelle à l'angle de 0°.
4. Régler l'indicateur de pré-réglage de l'angle de coupe sur l'angle voulu.



Trois pré-réglages sont possibles : 22,5°, 45° et 56°.

5. Incliner la semelle jusqu'en butée.
6. Serrer à fond le levier de blocage du réglage de l'angle de coupe.

6.6 Indicateur de coupe

Sur la semelle avant de la scie circulaire se trouve un indicateur de coupe (0° et 45°) tant pour les coupes à angle droit que pour les coupes biaisées. Ceci permet de réaliser une coupe encore plus précise selon l'angle de coupe choisi. L'arête de guidage correspond à la face intérieure de la lame de scie. Un indicateur de coupe se trouve sur la tranche avant pour la lame de scie.

6.6.1 Sciage suivant l'indicateur de coupe



Bloquer la pièce travaillée afin qu'elle ne glisse pas.

Disposer la pièce travaillée de sorte que la lame de scie tourne librement sous la pièce.

S'assurer que l'interrupteur Marche / Arrêt du produit est sur arrêt.

Placer la scie circulaire avec la semelle sur la pièce travaillée de sorte que la lame de scie ne touche pas encore la pièce.

1. Mettre la scie circulaire en marche.
2. Guider la scie circulaire à la cadence de travail appropriée à travers la pièce travaillée suivant l'indicateur de coupe.

6.7 Sciage avec butée parallèle

La butée parallèle à bras unique permet d'effectuer des coupes exactes le long d'une arête de la pièce travaillée, resp. de couper des formes de dimensions identiques. La butée parallèle peut être montée des deux côtés de la semelle.

6.7.1 Montage / réglage de la butée parallèle 6

1. Débrancher la fiche de la prise.
2. Faire glisser le guide de la butée parallèle sous la vis de blocage.
3. Régler la largeur de coupe souhaitée.
4. Serrer la vis de blocage à fond.

6.8 Sciage avec rail de guidage 7

Le sciage avec rail de guidage peut réduire le risque de contrecoup.

6.8.1 Mise en place dans l'adaptateur de rail de guidage / Retrait de la scie circulaire

1. Le cas échéant, retirer la butée parallèle si elle est montée.
2. Guider la semelle entre les taquets de maintien avant de l'adaptateur de rail de guidage.
3. Introduire complètement la semelle à l'arrière dans l'adaptateur de rail de guidage. La semelle doit s'enclencher complètement au niveau du taquet de maintien arrière.
4. Pour la retirer, tirer le taquet de maintien arrière légèrement vers l'arrière et extraire la scie circulaire de l'adaptateur de rail de guidage.

6.8.2 Coupes longitudinales à 0°

- ▶ Placer la scie circulaire avec la rainure de l'adaptateur de rail de guidage sur l'âme du rail de guidage.

6.8.3 Coupes longitudinales à des angles jusqu'à 56°

- ▶ Guider la scie circulaire avec l'arête extérieure de l'adaptateur de rail de guidage sur l'âme du rail de guidage, car sinon la lame de scie risque d'entrer en collision avec le rail de guidage.

6.8.4 Coupes biaisées planes



L'angle de coupe indiqué donne l'angle de déviation de la coupe par rapport à la coupe à angle droit.

1. Poser le rail de guidage avec le point zéro sur l'arête de la pièce travaillée et tourner le rail de guidage jusqu'à ce que l'angle souhaité sur la graduation d'angle soit opposé au point zéro.
2. Fixer le rail de guidage à l'aide des deux serre-joints à serrage par vis.

6.8.5 Sciage de sections

1. Fixer le rail de guidage par le bas à l'aide de deux serre-joints à serrage par vis.



La scie circulaire doit être placée derrière la pièce à travailler sur le rail de guidage. Ce faisant, s'assurer que la lame n'est pas en contact avec la pièce à travailler.

2. Déposer la scie circulaire dans la zone prévue sur le rail de guidage.
3. Mettre la scie circulaire en marche.
4. Faire progresser la scie circulaire régulièrement sur la pièce travaillée. Le capot oscillant s'ouvre au contact avec l'arête d'encoche latérale et se referme à la sortie à l'extrémité du rail de guidage.

7 Nettoyage et entretien

7.1 Contrôle après des travaux de nettoyage et d'entretien



Après des travaux de nettoyage et d'entretien, vérifier si tous les équipements de protection sont bien en place et fonctionnent parfaitement.

- ▶ Pour contrôler le capot de protection oscillant, l'ouvrir complètement en actionnant le levier de commande.
 - ◀ Après avoir relâché le levier de commande, le capot de protection oscillant doit se refermer rapidement et complètement de lui-même.

7.2 Nettoyage de l'équipement de protection

1. Démonter la lame de scie.
2. Nettoyer les équipements de protection avec précaution au moyen d'une brosse sèche.
3. Éliminer les dépôts et copeaux restés à l'intérieur des équipements de protection avec un ustensile approprié.
4. Mettre la lame de la scie en place. → Page 16

8 Recyclage

Les appareils **Hilti** sont fabriqués pour une grande partie en matériaux recyclables. Le recyclage présuppose un tri adéquat des matériaux. **Hilti** reprend les appareils usagés dans de nombreux pays en vue de leur recyclage. Consulter le service clients **Hilti** ou un conseiller commercial.



-
- ▶ Ne pas jeter les appareils électriques, électroniques et accus dans les ordures ménagères !
-

9 Garantie constructeur

- ▶ En cas de questions sur les conditions de garantie, veuillez vous adresser à votre partenaire **Hilti** local.

1 Información sobre la documentación

1.1 Acerca de esta documentación

- Lea detenidamente esta documentación antes de la puesta en servicio. Ello es imprescindible para un trabajo seguro y un manejo sin problemas.
- Respete las indicaciones de seguridad y las advertencias presentes en esta documentación y en el producto.
- Conserve este manual de instrucciones siempre junto con el producto y entregue el producto a otras personas siempre acompañado del manual.

1.2 Explicación de símbolos

1.2.1 Avisos

Las advertencias de seguridad advierten de peligros derivados del manejo del producto. Se utilizan las siguientes palabras de peligro:



PELIGRO

PELIGRO !

- ▶ Término utilizado para un peligro inminente que puede ocasionar lesiones graves o incluso la muerte.



ADVERTENCIA

ADVERTENCIA !

- ▶ Término utilizado para un posible peligro que puede ocasionar lesiones graves o incluso la muerte.



PRECAUCIÓN

PRECAUCIÓN !

- ▶ Término utilizado para una posible situación peligrosa que puede ocasionar lesiones leves o daños materiales.

1.2.2 Símbolos en la documentación

En esta documentación se utilizan los siguientes símbolos:

	Leer el manual de instrucciones antes del uso
	Indicaciones de uso y demás información de interés
	Manejo con materiales reutilizables
	No tirar las herramientas eléctricas y las baterías junto con los desperdicios domésticos

1.2.3 Símbolos en las figuras

En las figuras se utilizan los siguientes símbolos:

	Estos números hacen referencia a la figura correspondiente incluida al principio de este manual
3	La numeración describe el orden de los pasos de trabajo en la imagen y puede ser diferente de los pasos descritos en el texto
	Los números de posición se utilizan en la figura Vista general y los números de la leyenda están explicados en el apartado Vista general del producto
	Preste especial atención a este símbolo cuando utilice el producto.
	Transferencia de datos inalámbrica



1.3 Información del producto

Los productos Hilti han sido diseñados para usuarios profesionales y solo deben ser manejados, conservados y reparados por personal autorizado y debidamente formado. Este personal debe estar especialmente instruido en lo referente a los riesgos de uso. La utilización del producto y sus dispositivos auxiliares puede conllevar riesgos para el usuario en caso de manejarse de forma inadecuada por personal no cualificado o utilizarse para usos diferentes a los que están destinados.

La denominación del modelo y el número de serie están indicados en la placa de identificación.

- ▶ Traspase el número de serie a la siguiente tabla. Necesitará los datos del producto para realizar consultas a nuestros representantes o al Departamento de Servicio Técnico.

Datos del producto

Sierra circular	SCW 70 WSC 7.25-S
Generación	01 02
N.º de serie	

1.4 Declaración de conformidad

Bajo nuestra exclusiva responsabilidad, declaramos que el producto aquí descrito cumple con las directivas y normas vigentes. Encontrará una reproducción del organismo certificador al final de esta documentación. La documentación técnica se encuentra depositada aquí:

Hilti Entwicklungsgesellschaft mbH | Zulassung Geräte | Hiltistraße 6 | 86916 Kaufering, DE

2 Seguridad

2.1 Indicaciones generales de seguridad para herramientas eléctricas

⚠ ADVERTENCIA Lea con atención todas las instrucciones e indicaciones de seguridad. Si no se tienen en cuenta las instrucciones e indicaciones de seguridad, podrían producirse descargas eléctricas, incendios o lesiones graves.

Conserve todas las instrucciones e indicaciones de seguridad para futuras consultas.

Seguridad en el puesto de trabajo

- ▶ **Mantenga su área de trabajo limpia y bien iluminada.** El desorden o una iluminación deficiente de las zonas de trabajo pueden provocar accidentes.
- ▶ **No utilice la herramienta eléctrica en un entorno con peligro de explosión en el que se encuentren combustibles líquidos, gases o material en polvo.** Las herramientas eléctricas producen chispas que pueden llegar a inflamar los materiales en polvo o vapores.
- ▶ **Mantenga alejados a los niños y a otras personas mientras emplea la herramienta eléctrica,** pues es posible que una distracción provoque la pérdida del control sobre esta.

Seguridad eléctrica

- ▶ **El enchufe de la herramienta eléctrica debe corresponder a la toma de corriente utilizada. No se deberá modificar el enchufe en forma alguna. No utilice enchufes adaptadores para las herramientas eléctricas con puesta a tierra.** Los enchufes sin modificar adecuados a las respectivas tomas de corriente reducen el riesgo de descarga eléctrica.
- ▶ **Evite el contacto corporal con superficies que tengan puesta a tierra, como pueden ser tubos, calefacciones, cocinas y frigoríficos.** El riesgo a quedar expuesto a una sacudida eléctrica es mayor si su cuerpo tiene contacto con tierra.
- ▶ **No exponga las herramientas eléctricas a la lluvia y evite que penetren líquidos en su interior.** El riesgo de recibir descargas eléctricas aumenta si penetra agua en la herramienta eléctrica.
- ▶ **No utilice el cable de red para transportar o colgar la herramienta eléctrica ni tire de él para extraer el enchufe de la toma de corriente. Mantenga el cable de red alejado de fuentes de calor, aceite, aristas afiladas o piezas móviles de la herramienta.** Los cables de red dañados o enredados pueden provocar descargas eléctricas.
- ▶ **Cuando trabaje al aire libre con una herramienta eléctrica, utilice exclusivamente un alargador adecuado para exteriores.** La utilización de un alargador adecuado para su uso en exteriores evita el riesgo de una descarga eléctrica.
- ▶ **Cuando no pueda evitarse el uso de la herramienta eléctrica en un entorno húmedo, utilice un interruptor de corriente de defecto.** La utilización de un interruptor de corriente de defecto evita el riesgo de una descarga eléctrica.

Seguridad de las personas

- ▶ **Permanezca atento, preste atención durante el trabajo y utilice la herramienta eléctrica con prudencia. No utilice una herramienta eléctrica si está cansado, ni tampoco después de haber consumido alcohol, drogas o medicamentos.** Un momento de descuido al utilizar la herramienta eléctrica podría producir graves lesiones.
- ▶ **Utilice el equipo de seguridad personal adecuado y lleve siempre gafas protectoras.** El riesgo de lesiones se reduce considerablemente si, según el tipo y la aplicación de la herramienta eléctrica empleada, se utiliza un equipo de seguridad personal adecuado como una mascarilla antipolvo, zapatos de seguridad con suela antideslizante, casco de protección o protección para los oídos.
- ▶ **Evite una puesta en servicio fortuita de la herramienta. Asegúrese de que la herramienta eléctrica esté apagada antes de alzarla, transportarla o conectarla a la alimentación de tensión.** Si transporta la herramienta eléctrica sujetándola por el interruptor de conexión/desconexión o si introduce el enchufe en la toma de corriente con la herramienta conectada, podría producirse un accidente.
- ▶ **Retire las herramientas de ajuste o llaves fijas antes de conectar la herramienta eléctrica.** Una herramienta o llave colocada en una pieza giratoria puede producir lesiones al ponerse en funcionamiento.
- ▶ **Evite adoptar posturas forzadas. Procure que la postura sea estable y manténgase siempre en equilibrio.** De esta forma podrá controlar mejor la herramienta eléctrica en caso de presentarse una situación inesperada.
- ▶ **Utilice ropa adecuada. No utilice vestimenta amplia ni joyas. Mantenga su pelo, vestimenta y guantes alejados de las piezas móviles.** La vestimenta suelta, las joyas y el pelo largo se pueden enganchar con las piezas en movimiento.
- ▶ **Siempre que sea posible utilice equipos de aspiración o captación de polvo, asegúrese de que estén conectados y de que se utilizan correctamente.** El uso de un sistema de aspiración reduce los riesgos derivados del polvo.

Uso y manejo de la herramienta eléctrica

- ▶ **No sobrecargue la herramienta. Utilice la herramienta eléctrica adecuada para el trabajo que se dispone a realizar.** Con la herramienta eléctrica apropiada podrá trabajar mejor y de modo más seguro dentro del margen de potencia indicado.
- ▶ **No utilice herramientas eléctricas con el interruptor defectuoso.** Las herramientas eléctricas que no se puedan conectar o desconectar son peligrosas y deben repararse.
- ▶ **Extraiga el enchufe de la toma de corriente antes de realizar cualquier ajuste, cambiar de accesorio o al guardar la herramienta.** Esta medida preventiva evita el riesgo de arranque accidental de la herramienta eléctrica.
- ▶ **Guarde las herramientas eléctricas que no utilice fuera del alcance de los niños. No permita utilizar la herramienta a ninguna persona que no esté familiarizada con ella o no haya leído este manual de instrucciones.** Las herramientas eléctricas utilizadas por personas inexpertas son peligrosas.
- ▶ **Cuide su herramienta eléctrica adecuadamente. Compruebe si las piezas móviles de la herramienta funcionan correctamente y sin atascarse, y si existen piezas rotas o deterioradas que pudieran afectar al funcionamiento de la herramienta eléctrica. Encargue la reparación de las piezas defectuosas antes de usar la herramienta eléctrica.** Muchos accidentes son consecuencia de un mantenimiento inadecuado de la herramienta eléctrica.
- ▶ **Mantenga los útiles limpios y afilados.** Las herramientas de corte bien cuidadas y con aristas afiladas se atascan menos y se guían con más facilidad.
- ▶ **Utilice la herramienta eléctrica, los accesorios, útiles de inserción, etc., de acuerdo con estas instrucciones. Para ello, tenga en cuenta las condiciones de trabajo y la tarea que se va a realizar.** El uso de herramientas eléctricas para trabajos diferentes de aquellos para los que han sido concebidas puede resultar peligroso.

Servicio Técnico

- ▶ **Solicite que un profesional lleve a cabo la reparación de su herramienta eléctrica y que utilice exclusivamente piezas de repuesto originales.** Solamente así se garantiza la seguridad de la herramienta eléctrica.

2.2 Indicaciones de seguridad para cualquier sierra

Método de serrado

- ▶ **⚠ PELIGRO: Mantenga las manos alejadas del área de corte y de la hoja de sierra. Sujete la empuñadura adicional o la carcasa del motor con la otra mano.** Si sujeta la sierra con ambas manos, no correrá peligro de lesionarse con la hoja de sierra.
- ▶ **No toque la parte inferior de la pieza de trabajo.** La caperuza protectora no le protege del contacto con la hoja de sierra en la parte inferior de la pieza de trabajo.



- ▶ **Adapte la profundidad de corte al grosor de la pieza de trabajo.** La hoja de sierra no debe sobresalir más de un diente de la pieza de trabajo.
- ▶ **No sujete nunca la pieza de trabajo con la mano o sobre sus piernas. Fije la pieza de trabajo sobre una superficie estable.** Una buena sujeción de la pieza de trabajo es muy importante para reducir el riesgo de atasco de la hoja de sierra o de pérdida de control sobre la herramienta.
- ▶ **Agarre la herramienta eléctrica únicamente por las empuñaduras aisladas cuando realice trabajos en los que la herramienta puede entrar en contacto con cables eléctricos ocultos o con el propio cable de la herramienta.** El contacto con cables eléctricos puede activar también las partes metálicas de la herramienta eléctrica y provocar descargas eléctricas.
- ▶ **Utilice siempre un tope o una guía para ángulos rectos al realizar cortes longitudinales.** De este modo se incrementa la exactitud del corte y se reduce el riesgo de atasco de la hoja de sierra.
- ▶ **Utilice siempre hojas de sierra con las dimensiones correctas y el orificio adecuado (p. ej., en forma de estrella o redondo).** Las hojas de sierra que no encajan perfectamente con los componentes de montaje de la sierra giran de forma excéntrica y pueden hacerle perder el control sobre la herramienta.
- ▶ **No utilice nunca arandelas o tornillos de sujeción dañados o inapropiados para la hoja de sierra.** Las arandelas y los tornillos de sujeción de la hoja de sierra han sido especialmente diseñados para ofrecer el mayor número de prestaciones y la máxima seguridad de trabajo.

Descripción de las causas del rebote e indicaciones de seguridad correspondientes

- El rebote es una fuerza de reacción brusca que sucede al engancharse, atascarse o guiar incorrectamente la hoja de sierra, lo cual provoca que la sierra se salga de forma incontrolada de la pieza de trabajo y resulte impulsada hacia el usuario.
- Si la hoja de sierra se engancha o se atasca al cerrarse la ranura de corte, la hoja de sierra se bloquea y el motor impulsa la sierra en dirección al usuario.
- Si la hoja de sierra se gira lateralmente o se desalinea, los dientes de la parte posterior de la hoja de sierra pueden engancharse en la cara superior de la pieza de trabajo haciendo que la hoja de sierra se salga de la ranura de corte y que la herramienta salga despedida hacia atrás en dirección al usuario.

El rebote se debe a la utilización inadecuada o a procedimientos o condiciones de trabajo. Puede evitarse cumpliendo las medidas de seguridad pertinentes que se describen a continuación.

- ▶ **Sujete la sierra firmemente con ambas manos manteniendo los brazos en una posición que le permita hacer frente a las fuerzas de rebote. Mantenga la hoja de sierra a un lado y no la coloque en línea con su cuerpo.** Si la sierra circular retrocede bruscamente al rebotar, el usuario podrá controlar dicha fuerza de rebote siempre que haya tomado las precauciones adecuadas.
- ▶ **Si la hoja de sierra se atasca o el trabajo se interrumpe, desconecte la sierra y espere hasta que la hoja de sierra se detenga. Nunca intente extraer la sierra de la pieza de trabajo ni tirar de ella hacia atrás mientras la hoja de sierra esté en funcionamiento, ya que de lo contrario puede rebotar.** Detecte las causas que provocan que la hoja de sierra se atasque y corríjalas.
- ▶ **Para continuar el trabajo con la sierra insertada en la pieza de trabajo, centre la hoja de sierra en la ranura y compruebe que los dientes no estén enganchados en la pieza de trabajo.** Si la hoja de sierra está atascada puede llegar a salirse de la pieza de trabajo o provocar un rebote al ponerla de nuevo en marcha.
- ▶ **Apoye las placas grandes para evitar el riesgo de rebote a causa del atasco de la hoja de sierra.** Las placas grandes pueden doblarse por su propio peso. Las placas deben estar sujetadas a ambos lados, tanto cerca de la ranura de la sierra como del borde.
- ▶ **No utilice hojas de sierra desafiladas o dañadas.** Las hojas de sierra con dientes desafilados o desalineados provocan una fricción excesiva, atasco o rebote de la hoja de sierra a causa de una ranura de corte demasiado estrecha.
- ▶ **Antes de empezar a serrar, ajuste los dispositivos de profundidad y el ángulo de corte.** Si durante el trabajo de serrado se modifica la configuración, la hoja de sierra puede atascarse y originar un rebote.
- ▶ **Preste especial atención al serrar en paredes o en áreas ocultas.** Durante el proceso de serrado, la hoja de sierra puede quedar bloqueada en objetos ocultos y provocar un rebote.

Función de la caperuza protectora inferior

- ▶ **Antes de cada aplicación, compruebe que la caperuza protectora inferior cierra correctamente. No use la sierra si la caperuza protectora inferior no gira con total libertad o se cierra de forma repentina. No bloquee ni conecte la caperuza protectora inferior en posición abierta.** En caso de caída de la sierra, la caperuza protectora inferior podría deformarse. Abra la caperuza protectora inferior con la palanca y asegúrese de que se mueve con total libertad sin llegar a tocar la hoja de sierra ni otras partes en cualquier ángulo y profundidad de corte.
- ▶ **Compruebe el funcionamiento del muelle de la caperuza protectora inferior. Si la caperuza protectora inferior o el muelle no funcionan correctamente, repare la herramienta antes de su**



utilización. Las piezas deterioradas, los restos de material pegajoso o las virutas acumuladas pueden alterar el buen funcionamiento de la caperuza protectora inferior.

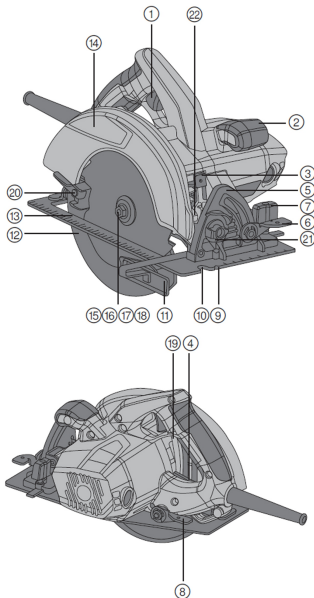
- ▶ **Abra la caperuza protectora inferior manualmente solo al realizar cortes especiales como «cortes por inmersión» o «cortes en ángulo».** Abra la caperuza protectora inferior con la palanca y suéltela cuando la hoja de sierra haya penetrado en la pieza de trabajo. Para el resto de aplicaciones, la caperuza protectora inferior deberá utilizarse de forma automática.
- ▶ **No deposite la sierra sobre el banco de trabajo o el suelo si la caperuza protectora inferior no cubre la hoja de sierra.** Las hojas de sierra sin protección empujan a la sierra en dirección contraria a la dirección de corte, serrando todo lo que encuentra a su paso. Tenga en cuenta el tiempo de marcha por inercia de la sierra.

2.3 Indicaciones de seguridad adicionales para sierras circulares

- ▶ Desplace la sierra circular manual sobre la pieza de trabajo solo cuando esté conectada.
 - ◀ El recorrido de corte debe estar libre de obstáculos por arriba y por abajo. No sierre tornillos, clavos u objetos similares.
- ▶ No trabaje nunca con una sierra circular por encima de la cabeza.
- ▶ No frene nunca la hoja de sierra ejerciendo presión lateral sobre la hoja de sierra.
- ▶ Evite que se sobrecalienten las puntas de los dientes de la sierra.
- ▶ Utilice siempre la hoja de sierra correspondiente para la superficie de trabajo que deba cortar.
- ▶ Utilice únicamente hojas de sierra recomendadas por Hilti que cumplan la norma EN 847-1.

3 Descripción

3.1 Vista general del producto



- ① Interruptor de conexión y desconexión
- ② Empuñadura adicional
- ③ Botón de bloqueo del husillo
- ④ Llave de hexágono interior
- ⑤ Escala de ajuste del ángulo de corte
- ⑥ Palanca de apriete para el ajuste del ángulo de corte
- ⑦ Tope de profundidad para tope paralelo
- ⑧ Palanca de apriete para el ajuste de la profundidad de corte
- ⑨ Marca de corte de 45°
- ⑩ Marca de corte de 0°
- ⑪ Tope paralelo
- ⑫ Caperuza protectora contra oscilaciones
- ⑬ Placa base
- ⑭ Cubierta protectora
- ⑮ Husillo de accionamiento
- ⑯ Brida de alojamiento
- ⑰ Brida de apriete
- ⑱ Tornillo de apriete
- ⑲ Escala de ajuste de la profundidad de corte
- ⑳ Palanca de mando para cubierta protectora contra oscilaciones
- ㉑ Ajuste previo para el ángulo de corte
- ㉒ LED

3.2 Vista general del adaptador del carril guía

- ㉓ Alma de soporte trasera
- ㉔ Alma de soporte delantera



3.3 Uso conforme a las prescripciones

El producto descrito es una sierra circular. Se ha diseñado para realizar trabajos de serrado en madera o materiales similares, plásticos, yeso encartonado, paneles de fibra de yeso y materiales aglomerados hasta una profundidad de corte de 70 mm (2,75 in), así como cortes a inglete de hasta 56°.

3.3.1 Posibles usos indebidos

No deben utilizarse hojas de sierra cuyas características no coincidan con los datos técnicos indicados ni discos tronadores, discos lijadores y hojas de sierra de acero de corte rápido de alta aleación (acero HSS). No deben serrarse metales.

3.4 Suministro

Sierra circular, hoja de sierra, llave de hexágono interior, tope paralelo, manual de instrucciones.



Para garantizar un correcto funcionamiento, utilice exclusivamente piezas de repuesto y consumibles originales. Puede encontrar piezas de repuesto, consumibles y accesorios para su producto que nosotros mismos comercializamos en **Hilti Store** o en: www.hilti.group

4 Datos técnicos

4.1 Datos técnicos

	SCW 70	WSC 7.25-S
Peso según el procedimiento EPTA 01	5,1 kg	5,1 kg
Dimensiones (L x An x Al)	317 x 236 x 269 mm (12,48 x 9,29 x 10,59 in)	317 x 236 x 269 mm (12,48 x 9,29 x 10,59 in)
Placa base	290 x 170 mm (11,42 x 6,69 in)	290 x 170 mm (11,42 x 6,69 in)
Diámetro de la hoja de sierra	184 mm ... 190 mm (7,2 in ... 7,5 in)	184 mm ... 190 mm (7,2 in ... 7,5 in)
Grosor del disco base de las hojas de sierra	1,1 mm ... 1,5 mm (0,04 in ... 0,06 in)	1,1 mm ... 1,5 mm (0,04 in ... 0,06 in)
Ancho de corte	1,7 mm ... 2,3 mm (0,07 in ... 0,09 in)	1,7 mm ... 2,3 mm (0,07 in ... 0,09 in)
Taladro de alojamiento de la hoja de sierra	30 mm (1,2 in)	5/8 pulg.
Profundidad de corte a 0°	0 mm ... 67 mm (0 in ... 2,6 in)	0 mm ... 67 mm (0 in ... 2,6 in)
Profundidad de corte a 45°	0 mm ... 49 mm (0 in ... 1,9 in)	0 mm ... 49 mm (0 in ... 1,9 in)
Profundidad de corte a 56°	0 mm ... 38 mm (0 in ... 1,5 in)	0 mm ... 38 mm (0 in ... 1,5 in)
Velocidad de giro en vacío	5.800 rpm	5.800 rpm
Clase de protección	II	II

5 Uso de alargadores



ADVERTENCIA

Peligro por los cables dañados. Si se daña el cable de red o el alargador durante el trabajo, evitar tocar el cable. Extraer el enchufe de red de la toma de corriente.

- ▶ Compruebe con regularidad el cable de conexión de la herramienta y, en caso de que presentara daños, encargue su sustitución a un profesional experto en la materia.
- Utilice solo el alargador autorizado con sección de cable suficiente para el campo de aplicación. De lo contrario, puede generarse una pérdida de potencia de la herramienta y un sobrecalentamiento del cable.



- Compruebe regularmente que el alargador no haya sufrido daños.
- Sustituir los alargadores dañados.
- Al trabajar al aire libre, utilice únicamente alargadores autorizados que estén correspondientemente identificados.

Secciones mínimas recomendadas y longitudes máximas del cable con una tensión de alimentación de 120 V

Cable	AWG 16	AWG 14	AWG 12	AWG 10
Sección de cable	1,31 mm ²	2,08 mm ²	3,31 mm ²	5,26 mm ²
Sección de cable	2,58 kcmil	4,11 kcmil	6,53 kcmil	10,4 kcmil
Longitud del cable	25 m	30 m	50 m	100 m
Longitud del cable	75 ft	100 ft	150 ft	250 ft

6 Manejo

6.1 Desmontar la hoja de sierra

ADVERTENCIA

Riesgo de lesiones Peligro por calentamiento de la herramienta, la brida de apriete o el tornillo de apriete y por los filos cortantes de la hoja de sierra.

- ▶ Utilice guantes de protección para cambiar de útil.

1. Extraiga el enchufe de red de la toma de corriente.
2. Pulse el botón de bloqueo del husillo.
3. Gire el tornillo de apriete de la hoja de sierra con la llave de hexágono interior hasta que el botón de bloqueo del husillo encaje completamente.
4. Afloje el tornillo de apriete con la llave de hexágono interior girando en sentido contrario a las agujas del reloj.
5. Retire el tornillo de apriete y la brida de apriete exterior.
6. Abra la caperuza protectora contra oscilaciones girando la hoja de sierra hasta extraerla.

6.2 Colocación de la hoja de sierra

PRECAUCIÓN

Riesgo de daños El uso de hojas de sierra inadecuadas o mal colocadas puede dañar la sierra.

- ▶ Utilice solo hojas de sierra adecuadas para esta sierra. Tenga en cuenta la dirección de giro de la hoja de sierra indicada por la flecha.

1. Extraiga el enchufe de red de la toma de corriente.
2. Limpie la brida de alojamiento y la brida de apriete.
3. Encaje la brida de alojamiento.
4. Abra la caperuza protectora contra oscilaciones.
5. Inserte la nueva hoja de sierra.
6. Encaje la brida de apriete externa.
7. Fije la brida de apriete con el tornillo de apriete girando en el sentido de las agujas del reloj. Para ello, mantenga pulsado el botón de bloqueo del husillo con una mano.
8. Antes de la puesta en servicio, compruebe que la hoja de sierra está correctamente fijada.

6.3 Ajuste de la profundidad de corte

1. Extraiga el enchufe de red de la toma de corriente.
2. Coloque la sierra circular sobre una superficie plana.
3. Extraiga la palanca de apriete del dispositivo de ajuste de la profundidad de corte.
4. Levante la sierra circular como si se tratara de unas tijeras y ajuste la profundidad de corte.
 - ◀ La profundidad de corte se muestra en la escala de ajuste de la profundidad de corte.



Para un borde de corte limpio, la profundidad de corte debe corresponderse con el grosor del material de corte más 2 mm.



5. Fije la palanca de apriete para el ajuste de la profundidad de corte.

6.4 Ajuste del ángulo de corte

1. Extraiga el enchufe de red de la toma de corriente.
2. Extraiga la palanca de apriete del dispositivo de ajuste del ángulo de corte.
3. Gire la placa base hasta el ángulo de corte deseado.
 - ◀ El ángulo de corte se muestra en la escala de ajuste del ángulo de corte.
4. Fije la palanca de apriete del dispositivo de ajuste del ángulo de corte.

6.5 Ajuste el ángulo de corte con ajuste predeterminado

1. Extraiga el enchufe de red de la toma de corriente.
2. Extraiga la palanca de apriete del dispositivo de ajuste del ángulo de corte.
3. Gire la placa base a un ángulo de 0°.
4. Coloque la aguja para el ajuste predeterminado del ángulo de corte en el ángulo deseado.



Existen tres ajustes predeterminados posibles: 22,5°, 45° y 56°.

5. Gire la placa base hasta el tope.
6. Fije la palanca de apriete del dispositivo de ajuste del ángulo de corte.

6.6 Indicador de trazado

En la placa base delantera de la sierra circular se encuentra un indicador de trazado (0° y 45°) para cortes rectos y diagonales. De este modo, se pueden ejecutar cortes precisos en función del ángulo de corte seleccionado. El trazado coincide con la cara interna de la hoja de sierra. En la parte delantera del corte se encuentra un indicador de trazado para la hoja de sierra.

6.6.1 Serrar según el trazado



Fije bien la pieza de trabajo para que no se mueva.

Coloque la pieza de trabajo de tal modo que la hoja de sierra pueda girar con total libertad debajo de la pieza de trabajo.

Asegúrese de que el interruptor de conexión y desconexión del producto esté desconectado.

Coloque la sierra circular con la placa base sobre la pieza de trabajo de modo que la hoja de sierra no entre todavía en contacto con la pieza de trabajo.

1. Conecte la sierra circular.
2. Desplace la sierra circular a lo largo del trazado de la pieza de trabajo a una velocidad de trabajo adecuada.

6.7 Serrado con tope paralelo

Con el tope paralelo de un brazo pueden realizarse cortes exactos a lo largo del borde de una pieza de trabajo o cortes masivos de listones. El tope paralelo puede montarse a ambos lados de la placa base.

6.7.1 Montaje/ajuste del tope paralelo

1. Extraiga el enchufe de red de la toma de corriente.
2. Desplace la guía del tope paralelo debajo del tope de profundidad.
3. Ajuste el ancho de corte deseado.
4. Apriete el tope de profundidad.

6.8 Serrado con carril guía

El serrado con carril guía puede reducir la aparición de rebotes.

6.8.1 Inserción / extracción de la sierra circular en el adaptador del carril guía

1. Si procede, retire el tope paralelo montado.
2. Desplace la placa base en las almas de soporte delanteras del adaptador del carril guía.

3. Coloque la placa base atrás totalmente en el adaptador del carril guía. La placa base debe encajar completamente en el alma de soporte trasera.
4. Para extraerla, tire del alma de soporte trasera ligeramente hacia atrás y extraiga la sierra circular del adaptador del carril guía.

6.8.2 Corte longitudinal a 0°

- ▶ Coloque la sierra circular con la ranura del adaptador del carril guía sobre el alma del carril guía.

6.8.3 Cortes longitudinales en ángulos de hasta 56°

- ▶ Desplace la sierra circular con el borde exterior del adaptador del carril guía a lo largo del alma del carril guía puesto que, en caso contrario, pueden producirse choques entre la hoja de sierra y el carril guía.

6.8.4 Cortes en ángulo plano



El ángulo de corte seleccionado indica el ángulo de desviación del corte con respecto al corte en ángulo recto.

1. Coloque el carril guía con el punto cero en el borde de la pieza de trabajo y gire el carril hasta que el ángulo deseado quede en posición opuesta al punto cero en la escala de ángulos.
2. Fije los carriles guía con dos sargentos.

6.8.5 Serrado de secciones

1. Fije el carril guía con dos sargentos por la parte inferior.



La sierra circular debe fijarse en el carril guía por detrás de la pieza de trabajo. Asegúrese de que la hoja de sierra no entre en contacto con la pieza de trabajo.

2. Coloque la sierra circular en la zona de fijación del carril guía.
3. Conecte la sierra circular.
4. Desplace la sierra circular de forma uniforme sobre la pieza de trabajo. En caso de contacto con el borde lateral, la caperuza contra oscilaciones se abre, y se cierra de nuevo al sobrepasar el final del carril guía.

7 Cuidado y mantenimiento

7.1 Comprobación después de las tareas de cuidado y mantenimiento



Una vez realizadas las tareas de cuidado y mantenimiento, compruebe si están colocados todos los dispositivos de protección y si estos funcionan correctamente.

- ▶ Para comprobar la caperuza protectora contra oscilaciones, ábrala por completo presionando la palanca de mando.
 - ◀ Al soltar la palanca de mando, la caperuza protectora contra oscilaciones debe cerrarse rápidamente y por completo.

7.2 Limpieza del dispositivo de protección

1. Desmonte la hoja de sierra.
2. Limpie cuidadosamente los dispositivos de protección con un cepillo seco.
3. Elimine los sedimentos y virutas acumulados en el interior de los dispositivos de protección con la herramienta adecuada.
4. Coloque la hoja de sierra. → página 26

8 Reciclaje

Las herramientas Hilti están fabricadas en su mayor parte con materiales reutilizables. La condición para dicha reutilización es una separación adecuada de los materiales. En muchos países, Hilti recoge las herramientas usadas para su recuperación. Pregunte en el Servicio de Atención al Cliente de Hilti o a su asesor de ventas.





-
- ▶ No deseche las herramientas eléctricas, los aparatos eléctricos ni las baterías junto con los residuos domésticos.
-

9 Garantía del fabricante

- ▶ Si tiene alguna consulta acerca de las condiciones de la garantía, póngase en contacto con su sucursal local de **Hilti**.

1 Indicações sobre a documentação

1.1 Sobre esta documentação

- Antes da colocação em funcionamento, leia esta documentação. Esta é a condição para um trabalho seguro e um manuseamento sem problemas.
- Tenha em atenção as instruções de segurança e as advertências nesta documentação e no produto.
- Guarde o manual de instruções sempre junto do produto e entregue-o a outras pessoas apenas juntamente com este manual.

1.2 Explicação dos símbolos

1.2.1 Advertências

As advertências alertam para perigos durante a utilização do produto. São utilizadas as seguintes palavras de aviso:

PERIGO

PERIGO !

- ▶ Indica perigo iminente que pode originar acidentes pessoais graves ou até mesmo fatais.

AVISO

AVISO !

- ▶ Indica um possível perigo que pode causar graves ferimentos pessoais, até mesmo fatais.





CUIDADO

CUIDADO !

- ▶ Indica uma situação potencialmente perigosa que pode originar ferimentos ligeiros ou danos materiais.


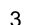



1.2.2 Símbolos na documentação

Nesta documentação são utilizados os seguintes símbolos:

	Leia o manual de instruções antes da utilização
	Instruções de utilização e outras informações úteis
	Manuseamento com materiais recicláveis
	Não deitar as ferramentas eléctricas e baterias no lixo doméstico

1.2.3 Símbolos nas figuras

Em figuras são utilizados os seguintes símbolos:

	Estes números referem-se à respectiva imagem no início deste Manual
	A numeração reproduz uma sequência dos passos de trabalho na imagem e pode divergir dos passos de trabalho no texto
	Na figura Vista geral são utilizados números de posição que fazem referência aos números da legenda na secção Vista geral do produto
	Este símbolo pretende despertar a sua atenção durante o manuseamento do produto.
	Transferência de dados sem fios

1.3 Dados informativos sobre o produto

Os produtos **Hilti** foram concebidos para uso profissional e só devem ser utilizados, mantidos e reparados por pessoal autorizado e devidamente credenciado. Este pessoal deverá estar informado, em particular,

sobre os potenciais perigos. O produto e seu equipamento auxiliar podem representar perigo se usados incorrectamente por pessoas não qualificadas ou se usados para fins diferentes daqueles para os quais foram concebidos.

A designação e o número de série são indicados na placa de características.

- ▶ Registe o número de série na tabela seguinte. Precisa dos dados do produto para colocar questões ao nosso representante ou posto de serviço de atendimento aos clientes.

Dados do produto

Serra circular	SCW 70 WSC 7.25-S
Geração	01 02
N.º de série	

1.4 Declaração de conformidade

Declaramos sob nossa exclusiva responsabilidade que o produto aqui descrito está em conformidade com as directivas e normas em vigor. Na parte final desta documentação encontra uma reprodução do organismo de certificação.

A documentação técnica está depositada junto da:

Hilti Entwicklungsgesellschaft mbH | Zulassung Geräte | Hiltistraße 6 | 86916 Kaufering, DE

2 Segurança

2.1 Normas de segurança gerais para ferramentas eléctricas

⚠ AVISO Leia todas as normas de segurança e instruções. O não cumprimento das normas de segurança e instruções pode resultar em choque eléctrico, incêndio e/ou lesões graves.

Guarde bem todas as normas de segurança e instruções para futura referência.

Segurança no posto de trabalho

- ▶ **Mantenha a sua área de trabalho limpa e bem iluminada.** Locais desarrumados ou mal iluminados podem ocasionar acidentes.
- ▶ **Não utilize a ferramenta eléctrica em ambientes explosivos ou na proximidade de líquidos ou gases inflamáveis.** Ferramentas eléctricas produzem faíscas que podem provocar a ignição de pó e vapores.
- ▶ **Mantenha afastadas crianças e outras pessoas durante a utilização da ferramenta eléctrica.** Em caso de distração, poderá perder o controlo sobre a ferramenta.

Segurança eléctrica

- ▶ **A ficha da ferramenta eléctrica deve servir na tomada. A ficha não deve ser modificada de modo algum. Não utilize quaisquer adaptadores com ferramentas eléctricas com ligação terra.** Fichas originais (não modificadas) e tomadas adequadas reduzem o risco de choque eléctrico.
- ▶ **Evite o contacto do corpo com superfícies ligadas à terra, como, por exemplo, canos, radiadores, fogões e frigoríficos.** Existe um risco elevado de choque eléctrico se o corpo estiver com ligação à terra.
- ▶ **As ferramentas eléctricas não devem ser expostas à chuva nem à humidade.** A infiltração de água numa ferramenta eléctrica aumenta o risco de choque eléctrico.
- ▶ **Não use o cabo para transportar, arrastar ou desligar a ferramenta eléctrica da tomada. Mantenha o cabo afastado de calor, óleo, arestas vivas ou partes em movimento da ferramenta.** Cabos danificados ou emaranhados aumentam o risco de choque eléctrico.
- ▶ **Quando operar uma ferramenta eléctrica ao ar livre, utilize apenas cabos de extensão próprios para utilização no exterior.** O uso de um cabo apropriado para espaços exteriores, reduz o risco de choques eléctricos.
- ▶ **Utilize um disjuntor diferencial se não puder ser evitada a utilização da ferramenta eléctrica em ambiente húmido.** A utilização de um disjuntor diferencial reduz o risco de choque eléctrico.

Segurança física

- ▶ **Esteja alerta, observe o que está a fazer, e tenha prudência ao trabalhar com uma ferramenta eléctrica. Se estiver cansado ou sob influência de drogas, álcool ou medicamentos não efectue nenhum trabalho com ferramentas eléctricas.** Um momento de distração ao operar a ferramenta eléctrica pode causar ferimentos graves.
- ▶ **Use equipamento de segurança. Use sempre óculos de protecção.** Equipamento de segurança, como, por exemplo, máscara antipoeiras, sapatos de segurança antiderrapantes, capacete de segurança

ou protecção auricular, de acordo com o tipo e aplicação da ferramenta eléctrica, reduzem o risco de lesões.

- ▶ **Evite um arranque involuntário. Certifique-se de que a ferramenta eléctrica está desligada antes de a ligar à corrente eléctrica, pegar nela ou a transportar.** Transportar a ferramenta eléctrica com o dedo no interruptor ou ligar uma ferramenta à tomada com o interruptor ligado (ON) pode resultar em acidentes.
- ▶ **Remova quaisquer chaves de ajuste (chaves de fenda), antes de ligar a ferramenta eléctrica.** Um acessório ou chave deixado preso numa parte rotativa da ferramenta pode causar ferimentos.
- ▶ **Evite posturas corporais desfavoráveis. Mantenha sempre uma posição correcta, em perfeito equilíbrio.** Desta forma será mais fácil manter o controlo sobre a ferramenta eléctrica em situações inesperadas.
- ▶ **Use roupa apropriada. Não use roupa larga ou jóias. Mantenha o cabelo, vestuário e luvas afastados das peças móveis.** Roupas largas, jóias ou cabelos compridos podem ficar presos nas peças móveis.
- ▶ **Se poderem ser montados sistemas de remoção e de recolha de pó, assegure-se de que estes estão ligados e são utilizados correctamente.** A utilização de um sistema de remoção de pó pode reduzir os perigos relacionados com a exposição ao mesmo.

Utilização e manuseamento da ferramenta eléctrica

- ▶ **Não sobrecarregue a ferramenta. Use para o seu trabalho a ferramenta eléctrica correcta.** Com a ferramenta eléctrica adequada obterá maior eficiência e segurança se respeitar os seus limites.
- ▶ **Não utilize a ferramenta eléctrica se o interruptor estiver defeituoso.** Uma ferramenta eléctrica que já não possa ser accionada pelo interruptor é perigosa e deve ser reparada.
- ▶ **Retire a ficha da tomada antes de efectuar ajustes no aparelho, substituir acessórios ou guardar o aparelho.** Esta medida preventiva evita o accionamento acidental da ferramenta eléctrica.
- ▶ **Guarde ferramentas eléctricas não utilizadas fora do alcance das crianças. Não permita que a ferramenta seja utilizada por pessoas não familiarizadas com a mesma ou que não tenham lido estas instruções.** Ferramentas eléctricas operadas por pessoas não treinadas são perigosas.
- ▶ **Faça uma manutenção regular das ferramentas eléctricas. Verifique se as partes móveis funcionam perfeitamente e não emperram ou se há peças quebradas ou danificadas que possam influenciar o funcionamento da ferramenta eléctrica. Peças danificadas devem ser reparadas antes da utilização da ferramenta.** Muitos acidentes são causados por ferramentas eléctricas com manutenção deficiente.
- ▶ **Mantenha as ferramentas de corte sempre afiadas e limpas.** Acessórios com gumes afiados tratados correctamente emperram menos e são mais fáceis de controlar.
- ▶ **Utilize a ferramenta eléctrica, acessórios, bits, etc., de acordo com estas instruções. Tome também em consideração as condições de trabalho e o trabalho a ser efectuado.** A utilização da ferramenta eléctrica para outros fins além dos previstos, pode ocasionar situações de perigo.

Manutenção

- ▶ **A sua ferramenta eléctrica só deve ser reparada por pessoal qualificado e só devem ser utilizadas peças sobressalentes originais.** Isto assegurará que a segurança da ferramenta eléctrica se mantenha.

2.2 Normas de segurança para todas as serras

Processo de corte

- ▶ **⚠ PERIGO: Não introduza as mãos na zona de corte nem toque na própria lâmina de serra. Segure o punho adicional ou a carcaça do motor com a outra mão.** Se ambas as mãos segurarem a serra, estas não poderão ser feridas pela lâmina.
- ▶ **Não introduza a mão por baixo da peça a cortar.** O resguardo de disco não poderá protegê-lo da lâmina de serra neste sítio.
- ▶ **Adapte a profundidade de corte à espessura da peça a cortar.** Menos de uma altura total de um dente do dentado da lâmina deveria desaparecer abaixo da peça a cortar.
- ▶ **Nunca segure a peça a cortar com as mãos ou sobre as pernas. Fixe-a a um suporte estável.** É importante fixar a peça a cortar firmemente, a fim de minimizar as possibilidades de haver contacto com o corpo, de a lâmina de serra emperrar ou de se perder o controlo.
- ▶ **Pegue na ferramenta eléctrica apenas pelas áreas isoladas dos punhos quando executar trabalhos onde a lâmina pode encontrar cabos eléctricos encobertos ou o próprio cabo de rede.** O contacto com um cabo sob tensão também coloca as partes metálicas da ferramenta eléctrica sob tensão e conduz a um choque eléctrico.
- ▶ **Utilize sempre um encosto ou uma guia recta quando efectuar cortes longitudinais.** Isto melhora a qualidade do corte e reduz a possibilidade de a lâmina de serra bloquear.



- ▶ **Utilize sempre lâminas de serra de tamanho correcto e com um orifício de montagem adequado (por ex., em forma de estrela ou circular).** Lâminas de serra que não combinam com as peças de montagem, apresentam excentricidade e conduzem à perda de controlo.
- ▶ **Nunca utilize anilhas adicionais ou parafusos para a lâmina de serra que estejam danificados ou não sejam adequados.** As anilhas adicionais e os parafusos para a lâmina de serra foram especificamente fabricados para esta serra, a fim de se obter um rendimento e uma segurança de funcionamento óptimos.

Coice - causas e respectivas normas de segurança

- um coice é a reacção repentina de uma lâmina de serra que prende, bloqueia ou está mal alinhada. Isto faz com que uma serra descontrolada ressalte e saia da peça a cortar e se mova na direcção do operador;
- a lâmina de serra bloqueia quando esta engata ou fica presa na ranhura de corte que se vai fechando. A força do motor impulsiona então a serra na direcção do operador;
- quando se desalinha ou se orienta incorrectamente a lâmina de serra na ranhura de corte, os dentes do rebordo posterior da mesma podem engatar-se na superfície da peça a cortar, o que provoca um movimento de saída da lâmina de serra da ranhura de corte e a ferramenta ressalta na direcção do operador.

Um coice é a consequência de uma utilização incorrecta ou deficiente da serra. Este pode ser evitado através de precauções adequadas, como descrito a seguir.

- ▶ **Segure a serra com ambas as mãos, colocando os braços numa posição em que poderá absorver as forças do coice. Coloque-se sempre ao lado da lâmina de serra, tentando que a lâmina de serra e o próprio corpo nunca se encontrem na mesma linha.** No caso de um coice, a serra circular pode saltar para trás. Porém, o operador da serra pode dominar as forças do coice através de precauções adequadas.
- ▶ **Caso interrompa o trabalho ou a lâmina de serra encrave, desligue a serra e segure-a com calma dentro do material, até a lâmina de serra ficar imobilizada. Nunca tente retirar a lâmina de serra da peça a cortar, ou de retroceder com a serra, enquanto a mesma está em movimento; caso contrário, pode ocorrer um coice.** Determine e corrija a causa de a lâmina de serra encravar.
- ▶ **Se pretender fazer arrancar uma serra dentro do material, centre a lâmina na ranhura de corte e verifique se os dentes não estão encravados na peça a cortar.** Se a lâmina de serra estiver bloqueada, esta pode escapar do material, ou produzir um contragolpe ao voltar a ligar-se a serra.
- ▶ **Escore placas grandes, a fim de diminuir o perigo de um coice devido a um disco de corte bloqueado.** Placas grandes podem flectir sob o seu próprio peso. Placas têm de ser escoradas de ambos os lados, tanto na proximidade da ranhura de corte como também na borda.
- ▶ **Não utilize lâminas de serra embotadas ou danificadas.** Lâminas de serra com dentes embotados ou mal alinhados produzem uma fricção maior, aumentando o perigo de bloqueios e coices.
- ▶ **Ajuste as regulações da profundidade e do ângulo de corte antes de começar com o corte.** Se as regulações se modificam durante o corte, a lâmina de serra pode bloquear-se, produzindo um coice.
- ▶ **Tenha particular atenção ao cortar em paredes existentes ou noutras áreas não inspecionáveis.** Durante a imersão, a lâmina de serra pode ficar bloqueada em objectos encobertos, causando um coice.

Função do resguardo inferior

- ▶ **Antes de cada utilização, verifique se o resguardo de disco inferior fecha correctamente. Não utilize a serra, se o resguardo de disco inferior não se mover com facilidade e não se fechar imediatamente. Nunca trave ou prenda o resguardo de disco inferior em posição aberta.** Se a serra cair involuntariamente ao solo, o resguardo de disco inferior pode dobrar-se. Abra o resguardo de disco através da alavanca de tracção e assegure-se de que se move com liberdade, sem tocar nem na lâmina de serra nem noutras partes em todos os ângulos e profundidades de corte.
- ▶ **Comprove a função da mola para o resguardo de disco inferior. Mande efectuar uma manutenção antes de utilizar a serra se o resguardo de disco inferior ou a respectiva mola não funcionarem correctamente.** Partes danificadas, depósitos pegajosos ou acumulações de aparas fazem com que o resguardo de disco inferior apresente um funcionamento retardado.
- ▶ **Abra o resguardo de disco inferior à mão unicamente em caso de cortes especiais, como "cortes de imersão ou em ângulo". Abra o resguardo de disco inferior através da alavanca de tracção, soltando-a logo que a lâmina de serra mergulhar na peça a cortar.** Em todos os outros trabalhos de corte, o resguardo de disco inferior deve trabalhar automaticamente.
- ▶ **Não pouse a serra sobre a bancada de trabalho ou o solo, sem que o resguardo de disco inferior cubra a lâmina de serra.** Uma lâmina de serra sem protecção e em marcha inercial move a serra no sentido contrário ao de corte e corta o que encontrar no caminho. Tenha em conta o tempo de marcha inercial da serra.

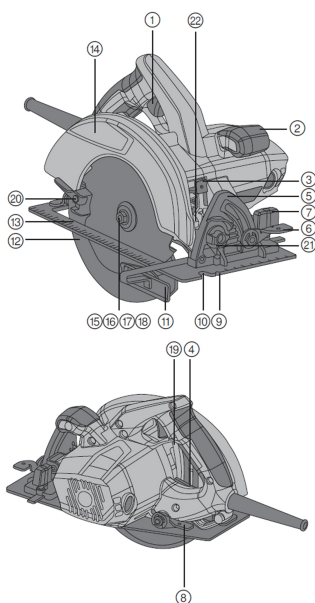


2.3 Normas de segurança adicionais da serra circular

- ▶ Conduza a serra circular manual contra a peça a cortar apenas quando ligada.
 - ◄ A linha de corte deve estar livre de obstáculos, tanto em cima como em baixo. Não serre parafusos, pregos ou semelhantes.
- ▶ Nunca trabalhe com uma serra circular em posição invertida.
- ▶ Nunca trave a serra circular por contrapressão lateral.
- ▶ Evite o sobreaquecimento das pontas dos dentes da serra.
- ▶ Para o material base a cortar, utilize sempre a respectiva lâmina de serra.
- ▶ Utilize apenas lâminas de serra recomendadas pela Hilti, que correspondam à norma EN 847-1.

3 Descrição

3.1 Vista geral do produto 1



- ① Interruptor on/off
- ② Punho adicional
- ③ Botão de bloqueio do veio
- ④ Chave para sextavado interior
- ⑤ Escala de ângulos de corte
- ⑥ Alavanca de aperto para regulação do ângulo de corte
- ⑦ Parafuso de aperto para encosto paralelo
- ⑧ Alavanca de aperto para regulação da profundidade de corte
- ⑨ Marcação de corte 45°
- ⑩ Marcação de corte 0°
- ⑪ Encosto paralelo
- ⑫ Resguardo de disco pendular
- ⑬ Placa base
- ⑭ Cobertura de protecção
- ⑮ Veio
- ⑯ Flange de montagem
- ⑰ Flange de aperto
- ⑱ Parafuso de aperto
- ⑲ Escala de profundidades de corte
- ⑳ Alavanca de comando para resguardo de disco pendular
- ㉑ Pré-ajuste para ângulo de corte
- ㉒ LED

3.2 Vista geral do adaptador para trilho-guia 2

- ㉓ Nervura de retenção traseira
- ㉔ Nervura de retenção dianteira

3.3 Utilização conforme a finalidade projectada

O produto descrito é uma serra circular. Foi concebida para trabalhos de corte em madeira ou derivados de madeira, plásticos, gesso cartonado, placas de fibrogesso e materiais compostos, com profundidade de corte até 70 mm (2,75 pol.) bem como corte em meia-esquadria até 56°.

3.3.1 Possível uso incorrecto

Não podem ser utilizadas lâminas de serra que não correspondam às indicações nos dados técnicos, discos de corte, discos abrasivos, assim como lâminas de serra de aço de corte rápido com alto teor de liga (aço HSS). Não utilize esta ferramenta para cortar metais.



3.4 Incluído no fornecimento

Serra circular, lâmina de serra, chave para sextavado interior, encosto paralelo, Manual de instruções.



Para um funcionamento seguro, utilize apenas peças sobresselentes e consumíveis originais. Poderá encontrar peças sobresselentes, consumíveis e acessórios aprovados por nós para o seu produto no seu **Hilti Store** ou em: **www.hilti.group**

4 Características técnicas

4.1 Características técnicas

	SCW 70	WSC 7.25-S
Peso de acordo com o procedimento EPTA de 01	5,1 kg	5,1 kg
Dimensões (C x L x A)	317 x 236 x 269 mm (12,48 x 9,29 x 10,59 pol.)	317 x 236 x 269 mm (12,48 x 9,29 x 10,59 pol.)
Placa base	290 x 170 mm (11,42 x 6,69 pol.)	290 x 170 mm (11,42 x 6,69 pol.)
Diâmetro da lâmina de serra	184 mm ... 190 mm (7,2 in ... 7,5 in)	184 mm ... 190 mm (7,2 in ... 7,5 in)
Espessura de raiz das lâminas de serra	1,1 mm ... 1,5 mm (0,04 in ... 0,06 in)	1,1 mm ... 1,5 mm (0,04 in ... 0,06 in)
Largura de corte	1,7 mm ... 2,3 mm (0,07 in ... 0,09 in)	1,7 mm ... 2,3 mm (0,07 in ... 0,09 in)
Orifício de montagem da lâmina de serra	30 mm (1,2 in)	5/8 pol.
Profundidade de corte a 0°	0 mm ... 67 mm (0 in ... 2,6 in)	0 mm ... 67 mm (0 in ... 2,6 in)
Profundidade de corte a 45°	0 mm ... 49 mm (0 in ... 1,9 in)	0 mm ... 49 mm (0 in ... 1,9 in)
Profundidade de corte a 56°	0 mm ... 38 mm (0 in ... 1,5 in)	0 mm ... 38 mm (0 in ... 1,5 in)
Velocidade de rotação em vazio	5 800 rpm	5 800 rpm
Classe de protecção	II	II

5 Utilização de extensões de cabo



AVISO

Perigo devido a cabo danificado! Se danificar o cabo enquanto trabalha, não lhe toque e desligue o aparelho imediatamente. Retire a ficha de rede da tomada.

- ▶ Verifique o cabo eléctrico regularmente. Se danificado, deve ser imediatamente substituído por um especialista.
- Utilize apenas cabos de extensão aprovados para o tipo de aplicação em causa e com a secção transversal adequada. A inobservância desta recomendação pode resultar numa perda de potência da ferramenta e no sobreaquecimento do cabo.
- Examine o cabo periodicamente em relação a eventuais danos.
- Substitua os cabos de extensão danificados.
- Em trabalhos de exterior, utilize apenas extensões com secção apropriada e correspondentemente indicadas.

Secções de cabo mínimas recomendadas e comprimentos máximos para uma tensão de rede de 120V

Cabo	AWG 16	AWG 14	AWG 12	AWG 10
Secção do condutor	1,31 mm ²	2,08 mm ²	3,31 mm ²	5,26 mm ²

Cabo	AWG 16	AWG 14	AWG 12	AWG 10
Secção do condutor	2,58 kcmil	4,11 kcmil	6,53 kcmil	10,4 kcmil
Comprimento do cabo	25 m	30 m	50 m	100 m
Comprimento do cabo	75 ft	100 ft	150 ft	250 ft

6 Utilização

6.1 Desmontar a lâmina de serra

AVISO

Risco de queimaduras Perigo devido a ferramenta quente, flange de aperto ou parafuso de aperto e a rebordos afiados da lâmina de serra.

- ▶ Use luvas de protecção para a troca do acessório.

1. Retire a ficha de rede da tomada.
2. Pressione o botão de bloqueio do veio.
3. Com a chave para sextavado interior, rode o parafuso de aperto para a lâmina de serra até o botão de bloqueio do veio engatar completamente.
4. Solte o parafuso de aperto com a chave para sextavado interior, rodando no sentido contrário ao dos ponteiros do relógio.
5. Retire o parafuso de aperto e a flange de aperto exterior.
6. Abra o resguardo de disco pendular afastando-o para o lado e remova a lâmina de serra.

6.2 Colocar a lâmina de serra

CUIDADO

Perigo de danos Lâminas de serra inadequadas ou incorrectamente inseridas podem danificar a serra.

- ▶ Utilize somente lâminas de serra adequadas para esta serra. Respeite o sentido de rotação indicado pela seta na lâmina de serra.

1. Retire a ficha de rede da tomada.
2. Limpe as flanges de montagem e de aperto.
3. Encaixe a flange de montagem.
4. Abra o resguardo de disco pendular.
5. Coloque a lâmina de serra nova.
6. Encaixe a flange de aperto exterior.
7. Fixe o flange de aperto com o parafuso de aperto, rodando no sentido dos ponteiros do relógio. Com uma mão, mantenha o botão de bloqueio do veio premido.
8. Verifique se a lâmina de serra está firme e correctamente apertada antes da primeira utilização.

6.3 Ajustar a profundidade de corte

1. Retire a ficha de rede da tomada.
2. Coloque a serra circular sobre uma base.
3. Solte a alavanca de aperto da regulação da profundidade de corte.
4. Levante a serra circular num movimento tipo tesoura e ajuste a profundidade de corte.
 - ◀ A profundidade de corte é apresentada na escala da profundidade de corte.



Para uma aresta de corte mais limpa, a profundidade de corte deve corresponder à espessura do material mais 2 mm.

5. Fixe a alavanca de aperto para a regulação da profundidade de corte.

6.4 Ajustar o ângulo de corte

1. Retire a ficha de rede da tomada.
2. Solte a alavanca de aperto da regulação do ângulo de corte.
3. Rebaixe a placa base até ao ângulo de corte pretendido.
 - ◀ O ângulo de corte é apresentado na escala do ângulo de corte.



4. Aperte bem a alavanca de aperto da regulação do ângulo de corte.

6.5 Ajustar o ângulo de corte com pré-ajuste

1. Retire a ficha de rede da tomada.
2. Solte a alavanca de aperto da regulação do ângulo de corte.
3. Rode a placa base para o ângulo de 0°.
4. Coloque no ângulo pretendido o ponteiro para o pré-ajuste do ângulo de corte.



São possíveis três pré-ajustes: 22,5°, 45° e 56°.

5. Rode a placa base até ao encosto.
6. Aperte bem a alavanca de aperto da regulação do ângulo de corte.

6.6 Indicador de traçar

Na parte dianteira da placa base da serra circular encontra-se um indicador de traçar (0° e 45°), tanto para cortes a direito como para cortes enviesados. Com o qual é possível efectuar um corte preciso, consoante o ângulo de corte seleccionado. A aresta do traçado corresponde à face interior da lâmina de serra. Um indicador de traçar adicional encontra-se no recorte anterior para a lâmina de serra.

6.6.1 Serrar pelo traçado



Fixe a peça a cortar para que não deslize.

Coloque a peça a cortar de modo que a lâmina de serra se possa mover livremente por baixo da peça a cortar.

Assegure-se de que o interruptor on/off no produto está desligado.

Coloque a serra circular com a placa base sobre a peça a cortar de modo a que a lâmina de serra ainda não toque na peça a cortar.

1. Ligue a serra circular.
2. Conduza a serra circular com uma velocidade de trabalho adequada ao longo do traçado da peça a cortar.

6.7 Serrar com encosto paralelo

O encosto paralelo de um braço permite executar cortes precisos ao longo de uma aresta da peça a cortar ou o corte de réguas com as mesmas dimensões. O encosto paralelo pode ser montado de ambos os lados da placa base.

6.7.1 Montar/ajustar o encosto paralelo

1. Retire a ficha de rede da tomada.
2. Empurre a guia do encosto paralelo por baixo do parafuso de aperto.
3. Ajuste a largura de corte pretendida.
4. Aperte bem o parafuso de aperto.

6.8 Serrar com trilho-guia

A utilização do trilho-guia ao serrar pode reduzir a ocorrência de um contragolpe.

6.8.1 Encaixar/retirar a serra circular no adaptador para trilho-guia

1. Retire um encosto paralelo eventualmente montado.
2. Insira a placa base nas nervuras de retenção dianteiras do adaptador para trilho-guia.
3. Insira a placa base atrás completamente no adaptador para trilho-guia. A placa base deve encaixar completamente na nervura de retenção traseira.
4. Para retirar, puxe a nervura de retenção traseira ligeiramente para trás e retire a serra circular do adaptador para trilho-guia.

6.8.2 Cortes longitudinais com ângulo de 0°

- ▶ Coloque a serra circular com a ranhura do adaptador para trilho-guia sobre a nervura do trilho-guia.

6.8.3 Cortes longitudinais com ângulos até 56°

- ▶ Conduza a serra circular com a aresta exterior do adaptador para trilho-guia ao longo da nervura do trilho-guia, caso contrário, ocorrerão colisões da lâmina de serra com o trilho-guia.

6.8.4 Cortes planos em ângulo



O ângulo de corte indicado corresponde ao desvio angular entre o corte e o corte a direito, em esquadria.

1. Coloque o trilho-guia com o ponto zero sobre a aresta da peça a cortar e rode-o até o ângulo pretendido na escala de ângulos e o ponto zero estarem alinhados frente a frente.
2. Fixe o trilho-guia com os dois sargentos.

6.8.5 Serrar secções

1. Fixe o trilho-guia a partir de baixo, com os dois sargentos.



A serra circular deve ser colocada sobre o trilho-guia atrás da peça a trabalhar. Certifique-se de que das a lâmina de serra não está encostada à peça a trabalhar.

2. Pouse a serra circular na zona de colocação do trilho-guia.
3. Ligue a serra circular.
4. Empurre uniformemente a serra circular sobre a peça a trabalhar. O resguardo pendular abre-se ao entrar em contacto com o bordo de desengate lateral e volta a fechar-se ao sair na extremidade do trilho-guia.

7 Conservação e manutenção

7.1 Verificação do aparelho após manutenção



Verifique após o trabalho de conservação e manutenção se todos os dispositivos de protecção estão encaixados e se funcionam em perfeitas condições.

- ▶ Para verificação do resguardo de disco pendular, abra-o totalmente accionando a alavanca de comando.
 - ◀ Depois de soltar a alavanca de comando, o resguardo de disco pendular deve fechar rápida e totalmente.

7.2 Limpeza dos dispositivos de protecção

1. Desmonte a lâmina de serra.
2. Limpe os dispositivos de protecção cuidadosamente com uma escova seca.
3. Remova com uma ferramenta adequada depósitos e aparas no interior dos dispositivos de protecção.
4. Coloque a lâmina de serra. → Página 36

8 Reciclagem

As ferramentas **Hilti** são, em grande parte, fabricadas com materiais recicláveis. Um pré-requisito para a reciclagem é que esses materiais sejam devidamente separados. Em muitos países, a **Hilti** aceita a sua ferramenta usada para reutilização. Para mais informações dirija-se ao Serviço de Clientes **Hilti** ou ao seu vendedor.



- ▶ Não deite as ferramentas eléctricas, aparelhos electrónicos e baterias no lixo doméstico!

9 Garantia do fabricante

- ▶ Em caso de dúvidas quanto às condições de garantia, contacte o seu parceiro **Hilti** local.



This Product is Certified
Ce produit est homologué
Producto homologado por
Este producto está registrado





Hilti Corporation
LI-9494 Schaan
Tel.:+423 234 21 11
Fax:+423 234 29 65
www.hilti.com



322275